



THE LEADERS IN RECREATION, FITNESS, AND ABILITY!

9889 Garrymore Ln

Missoula, MT 59808

888-687-3552 | +1-406-549-0769

www.aquacreek.com

Ambassador Anchor Jig Plate Instructions

PART #: F-910SAJP

Weight Capacity (350 LBS) / Max Setback (38")

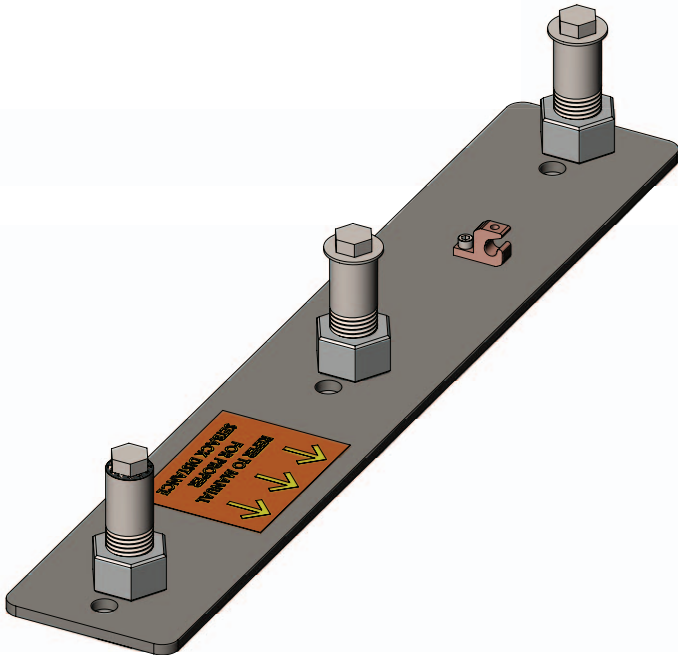
MANDATORY

LEAVE THIS MANUAL WITH LIFT OWNER

Read and follow all instructions.

Lift safety can only be ensured if the lift is installed and operated according to these instructions.

- NEVER permit children to play on or around the lift
- Do not allow children to use the lift without adult supervision
- NEVER apply direct water pressure to the electronics
- NEVER use the lift with a dry pool



READ CAREFULLY

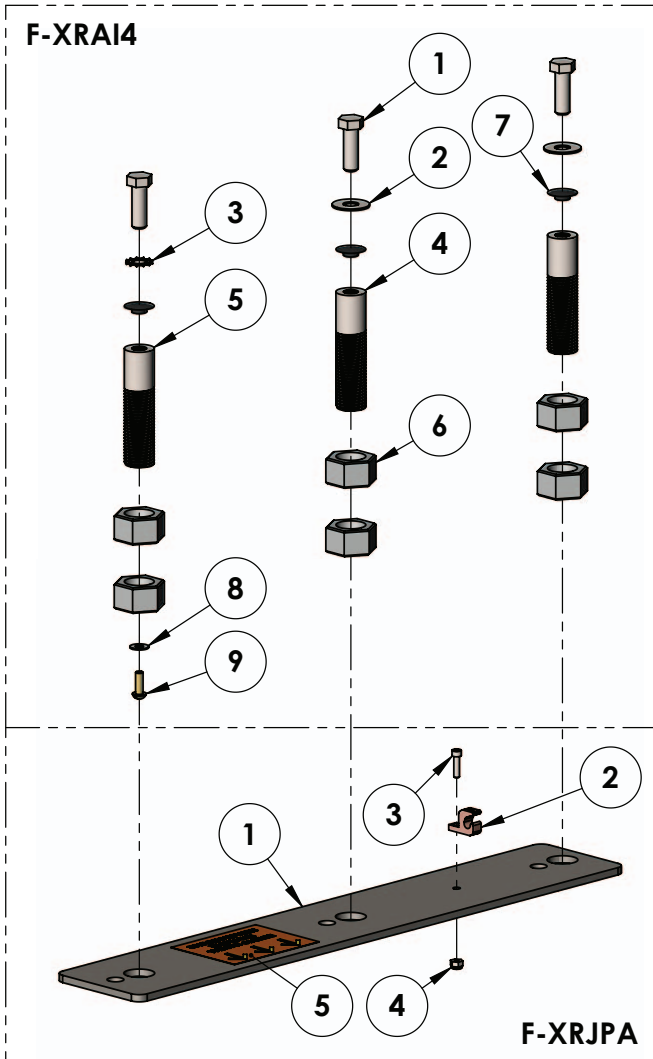
Check entire box and all packing materials for parts. Before beginning assembly, read the instructions and identify parts using the figures and parts listed in this document.

It is critical that all parts be carefully inspected prior to installation. If any damage occurred in transit, Aqua Creek Products, LLC must be notified within three days of receipt of unit.

Proper installation cannot be overstressed, as an improper installation voids Aqua Creek's warranty and may affect the safety of the user.

F-910SAJP: Ambassador Anchor Assembly Parts List

The Ambassador anchor jig plate assembly is shown below with all of the parts labeled. Before beginning installation, familiarize yourself with the parts and their locations. Also review the information on page 3 "ADA GUIDELINES" before choosing the anchor location.



ITEM #	QTY	PART #	DESCRIPTION
1	3	BH 1/2 X 1-1/2	BOLT, 316 SS, 1/2-13 X 1 1/2 HCS
2	3	WF 1/2	WASHER, FLAT, 1/2, 316 SS
3	1	WT 1/2	WASHER, 316 SS, 1/2" EXTERNAL TOOTH
4	2	P-7200ANB	ANCHOR INSERT, NON-BONDABLE
5	1	P-7200ANB-BB	ANCHOR INSERT, BONDABLE
6	6	NH 1 ZINC	NUT, ZINC, HEX, 1"-8
7	3	PIP-1/2-TAB	TAB, PIP-1/2, BLACK CAP
8	1	WF 1/4	WASHER, FLAT, 1/4, 316 SS
9	1	SPH 1/4 X 3/4 BRASS	SCREW, BRASS, 1/4-20 X 3/4" PANHEAD
10	1	ANTI SIEZE, PACKET, .75	ANTI SIEZE, PACKET, 5 GRAMS

ITEM #	QTY	PART #	DESCRIPTION
1	1	STL-AJP-10	ANCHOR JIG PLATE, AMBASSADOR
2	1	GBL-4DB	LUG, IN GROUND BONDING LUG
3	1	BSH 10 X 3/4	BOLT, 316 SS, 10-24 X 3/4 SHCS
4	1	NN 10	NUT, 316 SS, NYLOCK, #10-24
5	1	LABEL #97	PROPER SETBACK LABEL

Installation: ADA Guidelines

ADA REQUIREMENTS:

The Ambassador Lift is ADA Compliant.

The installation must meet the following requirements:

- Clear deck space dimensions (see FIGURE 1)
- Lift installed between 22.5-38 inches from the pool edge
- Deck slope no greater than 1:48
- The seat must submerge at least 18 inches into the water. The lift should be installed at a location with 42-48 inches of depth (deck to pool floor)
- Anchor setbacks are based on straight pool/spa walls. Curved pool/spa walls will effect the anchor setback.

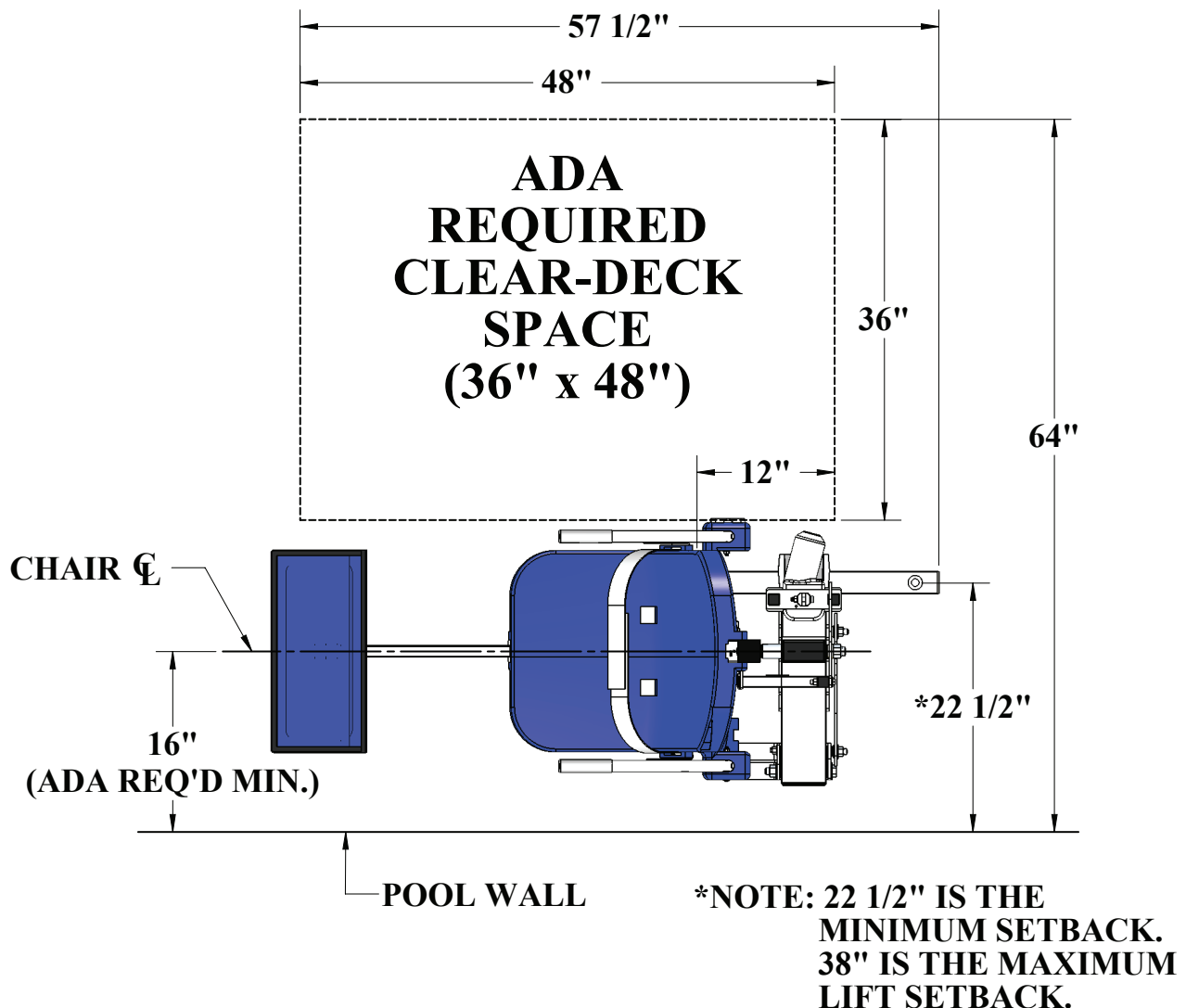


FIGURE 1

Anchor Installation: Core-Drill Retro-Fit

NOTE: 2500PSI MINIMUM STRENGTH 6" THICK OR MORE CONCRETE IS REQUIRED

You will need:

- Core drill and 1½" core drill bit
- Tape measure
- Marking pen
- Hammer
- Cold chisel
- Torpedo level
- 2-part construction epoxy*
- Masking tape
- Black electrical tape (optional)
- Anti-seize packet

**Aqua Creek recommends either Hilti™ Brand HIT RE-500-SD or Simpson™ brand SET-XP or equivalent*



Anchor jig plate with hardware

1. Mark the 3 hole locations on your deck using the larger holes of the anchor jig plate as a template. For ADA compliance, confirm the center of the jig plate holes are 22.5 to 38 inches from the pool's edge.

SEE FIGURE 1 ON PAGE 3

2. Drill the 3 hole locations to 4 1/2 inches deep using the 1 1/2 inch drill bit. Clear all debris and ensure holes are completely dry.

NOTE: Create a depth marker on the drill bit with black electrical tape to make sure you drill to the right depth.

NOTE: Local bonding regulations may require you to drill one hole larger than the others in order to bond at least one of the anchor inserts. You may need to saw cut a portion of your deck.

See "Saw Cutting Retro-Fit Instructions" on page 6.

3. Remove the nuts and the black protective coverings from the threaded anchor inserts.

4. Thread the 1/2 inch hex bolts and flat washers through the smaller anchor jig plate holes and into the anchor inserts. Be sure to use anti-seize on the threads! Confirm the tops of the inserts are flush with the bottom of the plate. SEE FIGURE 2 ON PAGE 5

NOTE: We recommend using masking tape around the holes on the bottom of the anchor jig plate to help prevent the anchor plate from being accidentally epoxied to the pool deck.

Anchor Installation: Core-Drill Retro-Fit (CONTINUED)

5. Bond at least one of the anchor inserts according to your local code requirements. For more information see NEC Article 680.26.

6. Test fit the anchor assembly into the pre-drilled holes and use a torpedo level to ensure your anchoring system is level. SEE FIGURE 3

7. Remove the anchor assembly and fill each hole halfway with 2-part construction epoxy (or equivalent).

8. Place the anchor assembly back into the holes. Wiggle the assembly as it's reinserted to ensure the epoxy fully coats the threads.

9. Once again, check that the anchor assembly is level and anchor inserts are flush with deck.

10. Once the epoxy has set up, remove the hardware and the anchor jig plate. Your lift is now ready to be mounted to the anchoring system. The anchor jig plate may be recycled or used to install other anchors.

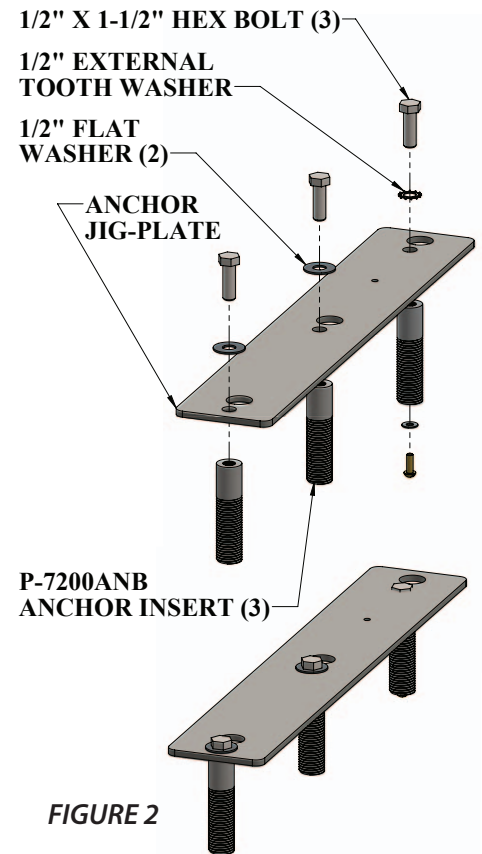


FIGURE 2

*MIN AND MAX SETBACK DISTANCES ARE FOR TYPICAL FLAT POOL DECK APPLICATIONS. POOLS WITH A RAISED CURB OR IN GROUND SPAS WITH BENCHES CAN VARY. CHECK WITH AQUA CREEK FOR PROPER SETBACK DISTANCES AND ANCHOR LOCATIONS.

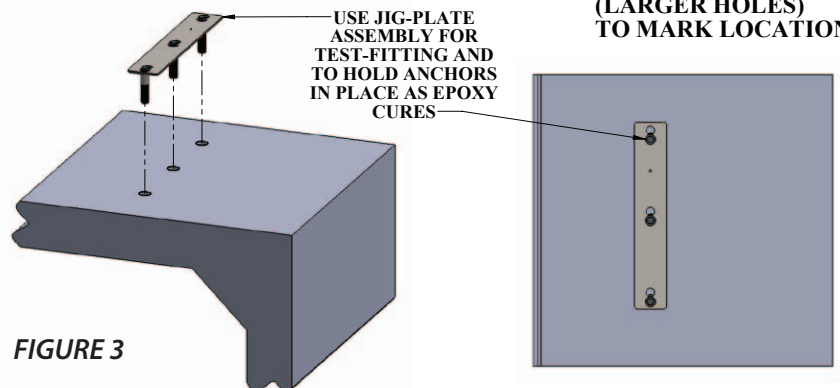
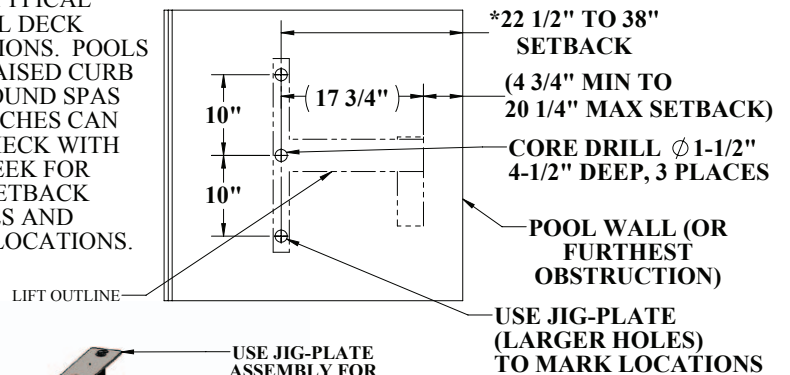


FIGURE 3

Anchor Installation: Saw-Cut Retro-Fit

You Will Need:

- Concrete saw with diamond blade
- Torpedo level
- Tape measure
- String Line
- 4' long straight edge or chalk line
- Concrete & concrete finishing tools
- Sledge hammer
- #5 rebar
- Cold chisel
- #5 rebar
- Large adjustable wrench

NOTE: 2500PSI MINIMUM STRENGTH 6" THICK OR MORE CONCRETE IS REQUIRED

1. Remove one nut from each anchor insert. Place the anchor inserts through the larger hole of the anchor jig plate. Thread the removed nuts back onto the anchor inserts. The anchor plate should be sandwiched between the two nuts on each anchor insert. SEE FIGURE 4

2. Mark out a section of the pool deck that you are removing. Plan on removing at least 4 feet 3 inches by 4 feet 3 inches.

3. Cut along your marks with a diamond blade concrete saw.

4. Using the sledge hammer break up the concrete within the cut area and remove the pieces.

5. Install rebar in the open area of the deck. Tie the rebar into the existing deck if possible. SEE FIGURE 5

6. Set the anchor system in place. For ADA compliance and clearance, make sure the center of the large anchor jig plate hole is between 22.5 and 38 inches from the pool's edge. SEE FIGURE 5

7. Using the string line or a straight edge & level, confirm the top of each anchor body is level with the FINISHED deck surface. Each anchor body can be individually adjusted by turning the nuts with a large wrench.

8. Bond the anchoring system according to your local code requirements by using the bonding lug on the anchor plate. SEE FIGURE 5 (See NEC Article 680.26)

9. Pour concrete and finish the pool deck surface.

10. Once the concrete has cured, the lift is ready to be mounted to the anchoring system.

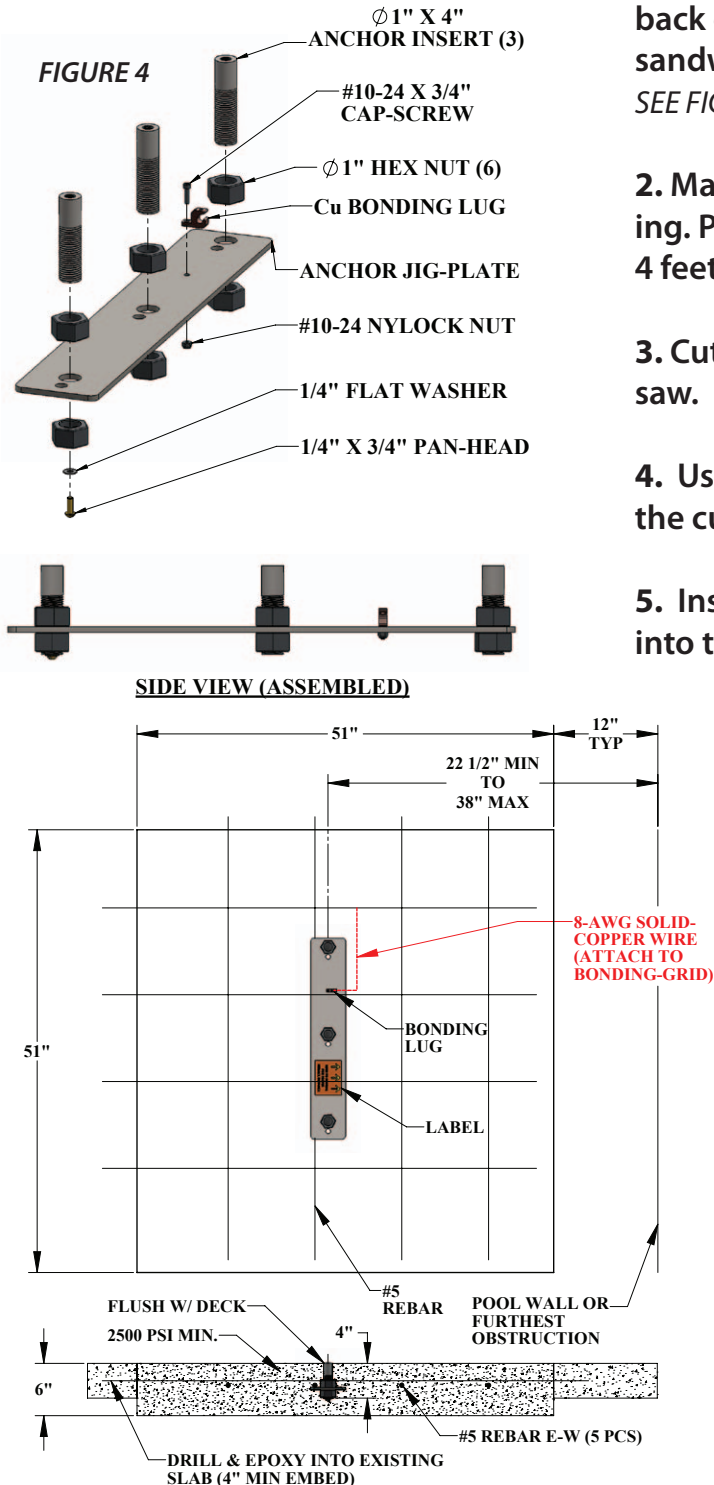


FIGURE 5

Anchor Installation: New Construction

You will need:

- Tape measure
- Marking pen
- Torpedo level
- Large adjustable wrench
- Concrete & concrete finishing tools
- #5 rebar

NOTE: For installations where a new deck is being poured, or where a dedicated pad is being poured just for the pool lift, the concrete must satisfy the ADA requirements outlined on page 3 of this manual.

Your pool deck must be at least 4 feet - 3 inches long by 4 feet - 3 inches wide by 6 inches thick. It must be reinforced with 5 sticks of #5 rebar each way, 2 inches clear (min) from the top and bottom of the footing.

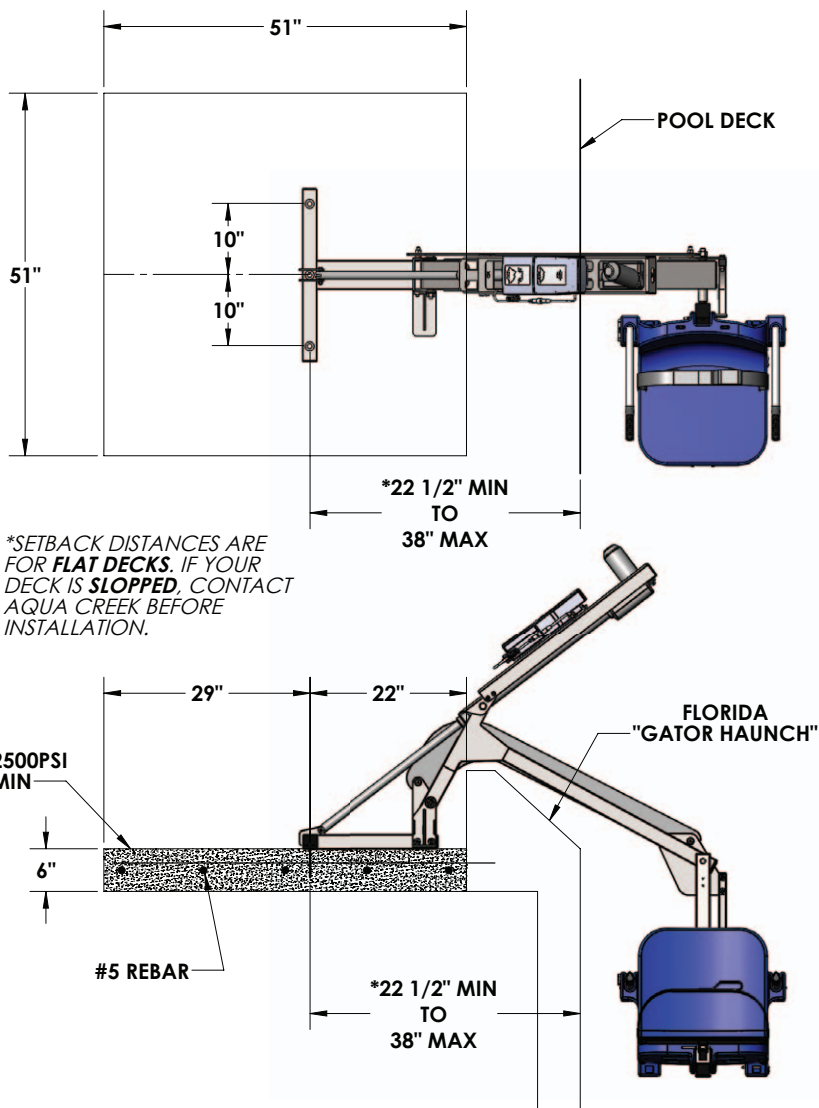


FIGURE 6

1. Remove one nut from each anchor insert. Place the anchor inserts through the larger hole of the anchor jig plate. Thread the removed nuts back onto the anchor inserts. The anchor plate should be sandwiched between the two nuts on each anchor insert.

SEE FIGURE 4, PAGE 6

2. Install rebar in the open area of the deck. SEE FIGURE 5, PAGE 6

3. Set the anchor system in place. For ADA compliance and clearance, make sure the center of the large anchor jig plate holes are between 22.5 and 38 inches from the pool's edge. SEE FIGURE 6

4. Using the string line or a straight edge & level, confirm the top of each anchor body is level with the FINISHED deck surface. Each anchor body can be individually adjusted by turning the nuts with a large wrench.

5. Bond the anchoring system by using the bonding lug on the anchor jig plate. Bond the system according to your local code requirements. (See NEC Article 680.26) SEE FIGURE 5, PAGE 6

6. Pour your concrete and finish the pool deck surface.

7. Once the concrete has cured the lift is ready to be mounted to the anchoring system.