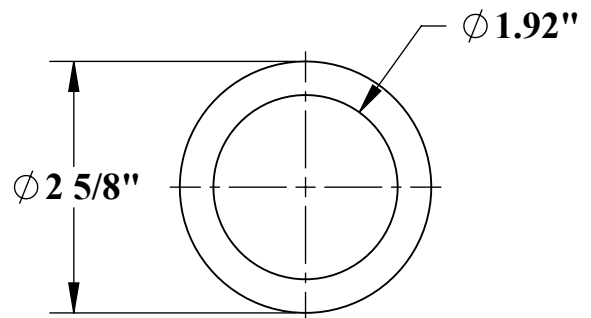
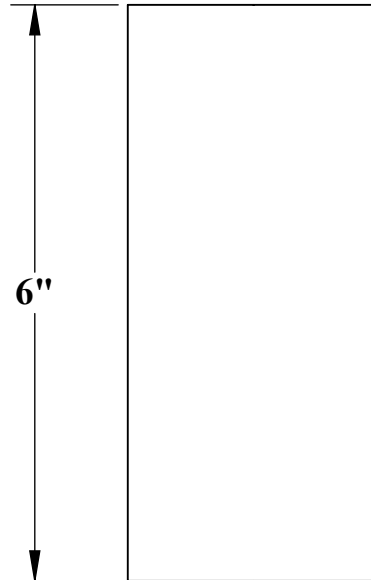
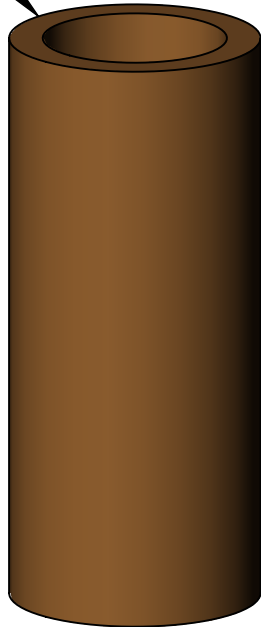


# HOYER ADAPTER

BRONZE  
ADAPTER  
SLEEVE



## SPECIFICATIONS:

THE AQUA CREEK PRODUCTS SCOUT HOYER LIFT ADAPTER SHALL BE A SLEEVE TYPE ANCHOR ADAPTER, USED TO ADAPT A  $\phi$ 1.9" X 6" POST TO A  $\phi$ 2 5/8" INSIDE DIAMETER ANCHOR THAT IS AT LEAST 6" DEEP. THE ADAPTER SHALL BE MADE FROM BRONZE.



9889 GARRYMORE LANE  
MISSOULA, MT 59808  
(406) 549-0769  
FAX (406) 549-2602

NOTE:  
\*SPECIFICATIONS ARE SUBJECT TO CHANGE WITHOUT NOTICE

PRODUCT:		HOYER ADAPTER	
PART #:		F-826	
SCALE:	1:2	DATE:	8/15/2019
DRAWN BY:	KR	REVISION:	02