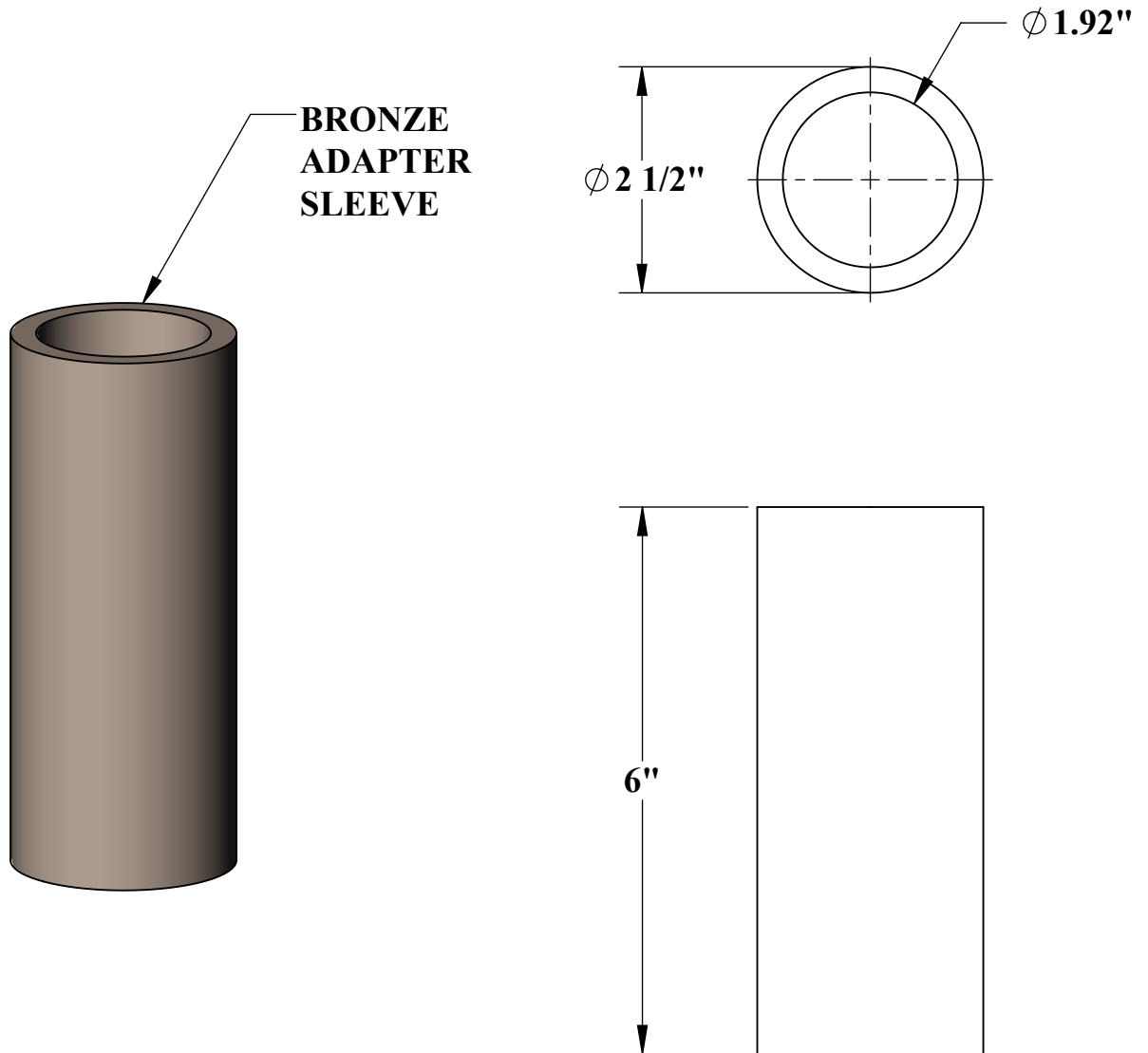


# SCOUT-LIFEGUARD ADAPTER



**SPECIFICATIONS:**

**THE AQUA CREEK PRODUCTS SCOUT-LIFEGUARD LIFT ADAPTER SHALL BE A SLEEVE TYPE ANCHOR ADAPTER, USED TO ADAPT A  $\phi 1.9''$  X 6" POST TO A  $\phi 2 \frac{1}{2}''$  INSIDE DIAMETER ANCHOR THAT IS AT LEAST 6" DEEP. THE ADAPTER SHALL BE MADE FROM BRONZE.**



9889 GARRYMORE LANE  
 MISSOULA, MT 59808  
 (406) 549-0769  
 FAX (406) 549-2602

NOTE:  
 \*SPECIFICATIONS ARE SUBJECT TO CHANGE WITHOUT NOTICE

PRODUCT: <b>LIFEGUARD ADAPTER</b>	
PART #: <b>F-822</b>	
SCALE: <b>1:2</b>	DATE: <b>9/4/2019</b>
DRAWN BY: <b>KR</b>	REVISION: <b>02</b>