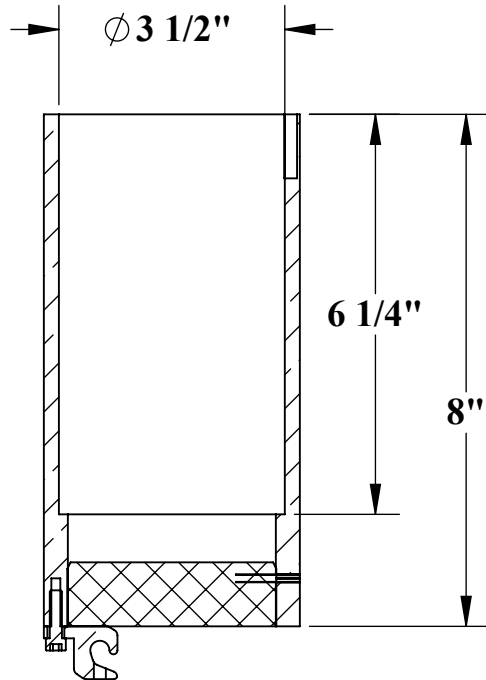
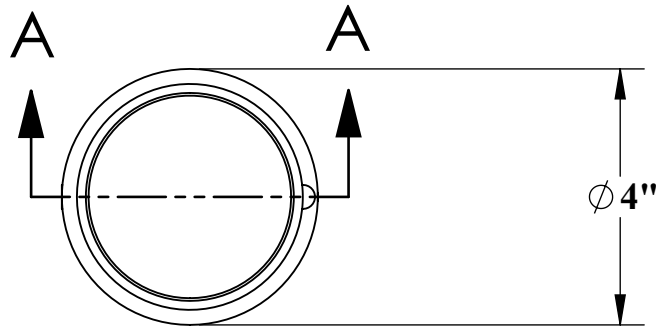
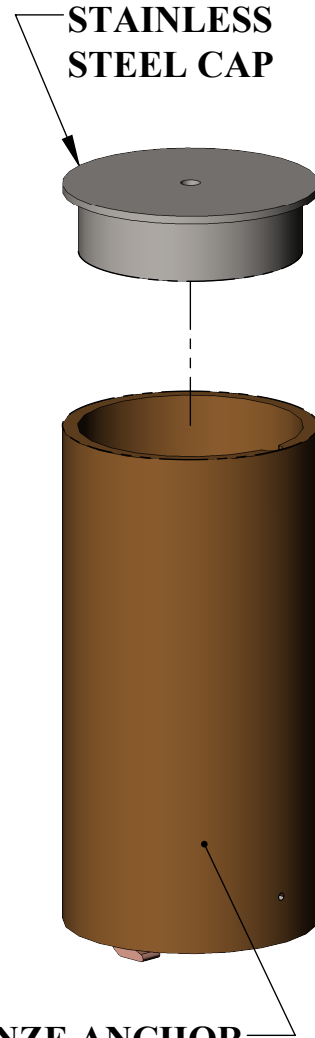


TITAN ANCHOR SPEC



SECTION A-A



BRONZE ANCHOR SLEEVE

SPECIFICATIONS:

THE AQUA CREEK PRODUCTS TITAN AND SUPER POWER EZ ANCHOR SHALL BE MADE FROM BRONZE, WITH A POLYETHYLENE (HDPE) PLUG. IT SHALL HAVE A GROUNDING LUG FOR GROUNDING/BONDING THE ANCHOR/LIFT. IT SHALL ALSO INCLUDE A STAINLESS STEEL SAFETY CAP; TO BE USED WHEN THE ANCHOR IS EMPTY.



9889 GARRYMORE LANE
 MISSOULA, MT 59808
 (406) 549-0769
 FAX (406) 549-2602

NOTE:
 *SPECIFICATIONS ARE SUBJECT TO CHANGE WITHOUT NOTICE

PRODUCT:		TITAN ANCHOR	
PART #:		F-612TLA	
SCALE:	1:3	DATE:	7/27/2017
DRAWN BY:	KR	REVISION:	A