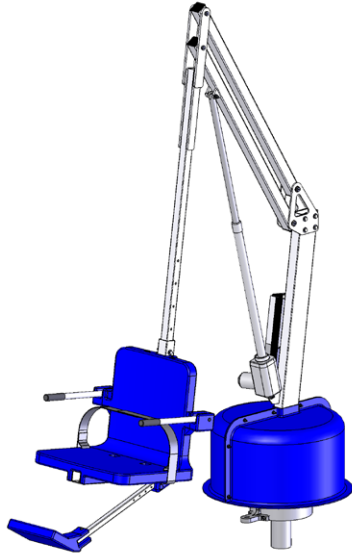


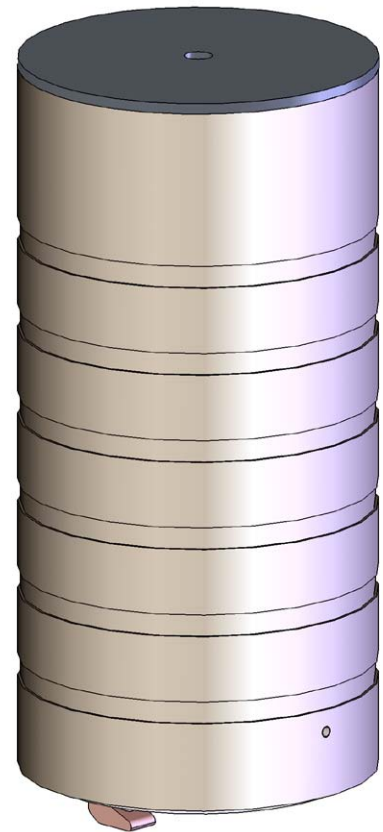
Titan & Super Power EZ Anchor Instructions Manual



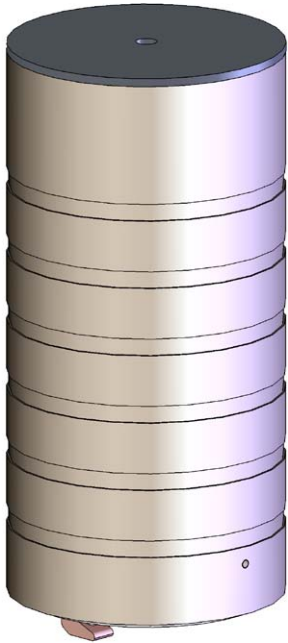
Titan Anchor Instructions: Page 2



**Super Power EZ Anchor
Instructions: Page 6**



Titan Anchor Instructions



PART #: F-612TLA

MANDATORY

LEAVE THIS MANUAL WITH LIFT OWNER

Read and follow all instructions.
Lift safety can only be ensured if the lift is installed and operated according to these instructions.

- NEVER permit children to play on or around the lift
- Do not allow children to use the lift without adult supervision
- NEVER apply direct water pressure to the electronics
- NEVER use the lift with a dry pool

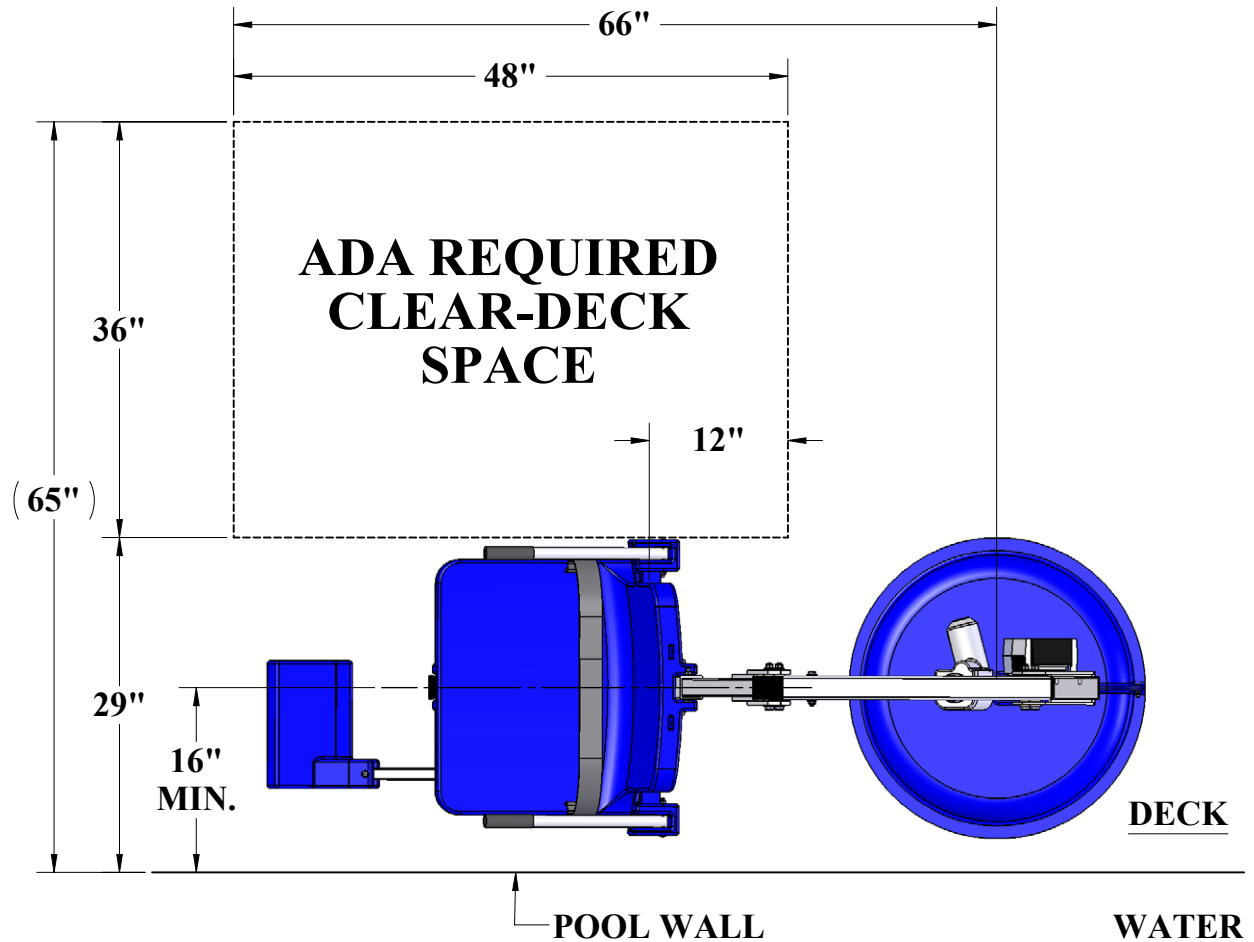
READ CAREFULLY

Check entire box and all packing materials for parts. Before beginning assembly, read the instructions and identify parts using the figures and parts listed in this document.

It is critical that all parts be carefully inspected prior to installation. If any damage occurred in transit, Aqua Creek Products, LLC must be notified within three days of receipt of unit.

Proper installation cannot be overstressed, as an improper installation voids Aqua Creek's warranty and may affect the safety of the user.

Lift Location: ADA Guidelines



Before installing the TITAN Lift it will be necessary to select a location for the anchor. The versatility of the TITAN Lift allows it to be installed in a wide variety of locations, but the owner/installer should be aware of the requirements of the Americans with Disabilities Act (ADA) with concern to lift installations. The diagram above shows an example of an ADA compliant installation, which incorporates the following ADA rules in order to be compliant:

- **SEAT LOCATION:** In the raised position, the centerline of the seat shall be located over the deck and 16 inches [406mm] minimum from the edge of the pool (pool wall). The deck surface between the centerline of the seat and the pool edge shall have a slope not greater than 1:48. [1009.2.2 "Seat Location"]
- **CLEAR DECK SPACE:** On the side of the seat opposite the water, a clear deck space shall be provided parallel with the seat. The space shall be 36 inches [914mm] wide minimum and shall extend forward 48 inches [1219mm] from a line located 12 inches [305mm] behind the rear edge of the seat. The clear deck space shall have a slope not greater than 1:48. [1009.2.3 "Clear Deck Space"]
- **WATER LEVEL:** Pool lifts must be located where the water level does not exceed 48 inches [1219mm] (unless the entire pool is greater than 48" deep). [1009.2.1 "Pool Lift Location"]

NOTE: AQUA CREEK RECOMMENDS INSTALLING THE LIFT AT A DECK TO POOL-FLOOR DEPTH OF NOT LESS THAN 42" [1067 mm].

Anchor Installation: Retrofit Instructions

The TITAN lift should be installed in a deck or footing with the following specifications:

1. MINIMUM FOOTING SIZE: 4' - 4" x 4' - 4" x 11" THICK.
2. MINIMUM CONCRETE STRENGTH: 2500 PSI
3. REINFORCEMENT: #5 REBAR @ 10" ON CENTER (O.C.)

To ensure adequacy of an existing pool deck a 4' – 4" square portion of the existing deck may be saw-cut, removed and replaced with a footing as specified above. The new slab reinforcing shall be drilled and epoxied into the existing slab as shown on the next page. If your deck or footing does not meet these requirements please call Aqua Creek for recommendations. The anchor should be bonded (grounded) per local electrical code. For decks meeting these requirements follow these instructions to install your anchor.

TOOLS & MATERIALS REQUIRED:

CORE DRILL

1 1/2" & 5" CORE DRILL BITS

MARKING PEN

EPOXY (ANCHOR ADHESIVE)*

WIRE BRUSH

AIR NOZZLE & PUMP/COMP.

HEAT GUN (OPTIONAL)

MASKING TAPE

1. Select an anchor location using the diagram on page 5 and the ADA guidelines on page 3. Mark the center of the anchor location with a pen or marker.
2. Using a 5" diameter core-drill bit drill a 5" diameter hole at the anchor location. Make sure to keep the bit square to the deck. Drill straight down to a depth of at least 9".
3. Remove plug and clean out the hole with a wire brush, and then insert an air nozzle to the bottom of the hole and blow out the hole using a pump or compressed air. Proper hole cleaning is essential. If the hole is wet, dry it out as much as possible. A heat gun may be helpful in drying out the hole.
4. Mask the top of the anchor so no epoxy gets inside the anchor.
5. Place the anchor in the hole and 'dry-fit' it first to make sure the anchor will be flush and perpendicular with the deck when installed. Adjust the hole as needed.
6. Install the epoxy into the dispenser and follow manufacturers' instructions to ensure the epoxy is properly mixed and applied. **USE ONLY THE RECOMMENDED EPOXY AND ALWAYS FOLLOW THE INSTRUCTIONS SO FULL STRENGTH IS ACHIEVED.**
7. Inject epoxy adhesive starting at the bottom until the hole is 1/3 to 1/2 full.
8. Install the 8" bronze anchor into the epoxy and push down until it is flush with the deck surface. Clean off excess epoxy. Adjust the anchor to make sure it is flush and perpendicular with the deck surface.
9. Let the epoxy cure for at least 24 hours before installing the lift (or where applicable according to the manufacturers' instructions).
10. After the 8" bronze anchor has been installed and the epoxy has fully cured install the lift in the anchor. With the base flush on the deck mark the location for the FIXING ANCHOR using the FIXING-TAB. Remove the lift.
11. With a 1 1/2" core-drill bit, drill straight down at the marked location to 4" deep.
12. Remove the plug and clean out the hole. Dry-fit to make sure the fixing-anchor sits flush with the finished deck, then remove and fill 1/3 to 1/2 with epoxy.
13. Install the FIXING-ANCHOR and make sure it is level and perpendicular. Let the epoxy fully cure before installing the lift.

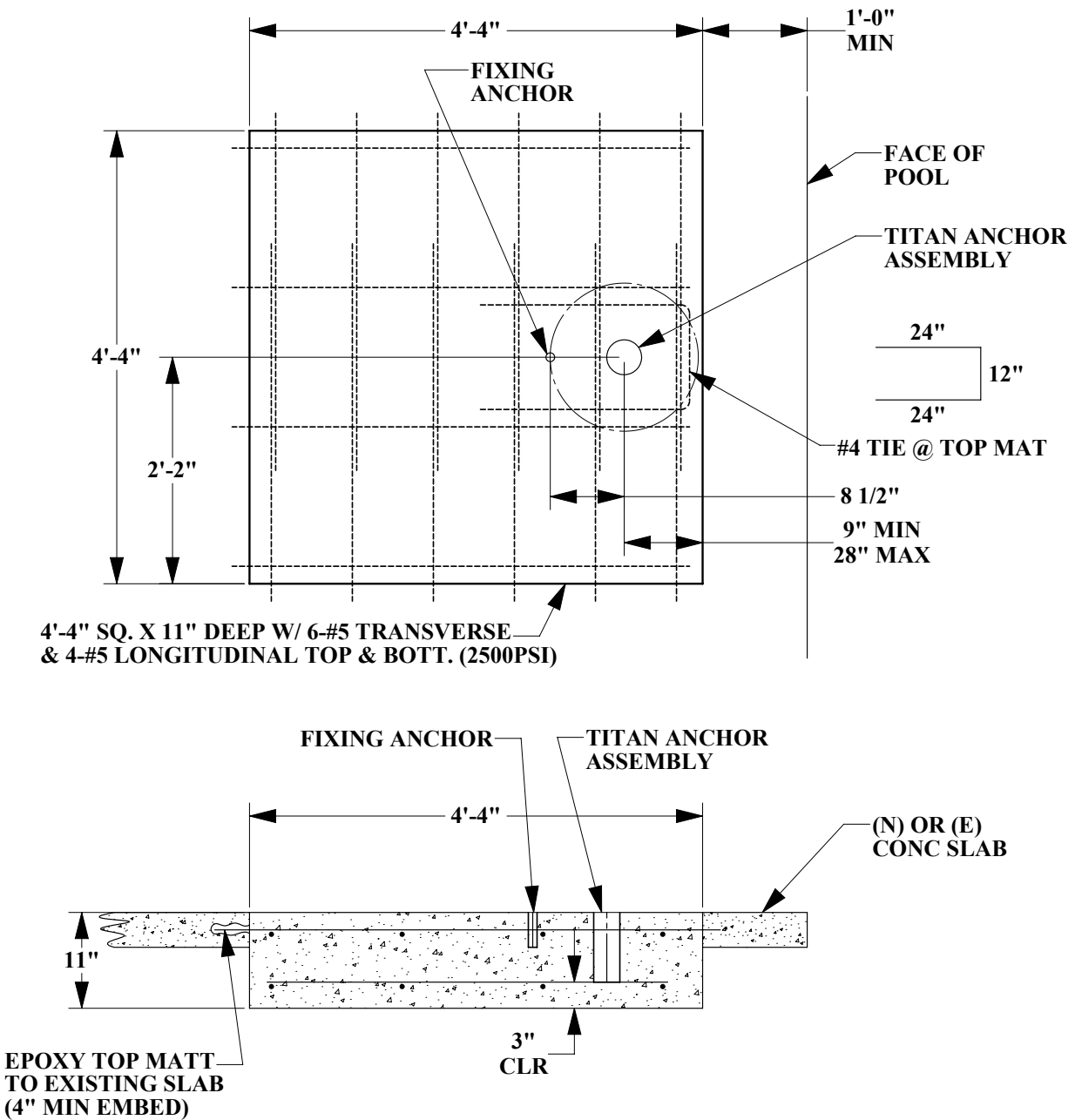
*Use HILTI RE-500-SD adhesive anchor or SIMPSON SET-XP anchor adhesive or equivalent.

NOTE: BOND (GROUND) THE ANCHOR PER LOCAL ELECTRICAL CODE.

Anchor Installation: New Construction

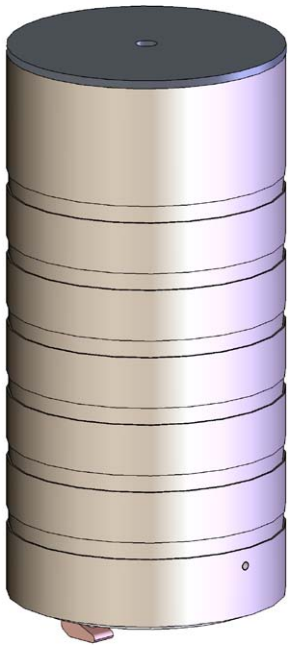
For new construction a footing should be poured according to the diagram below. Again, make sure the anchor is installed flush and perpendicular with the deck surface. The footing should have the following specifications:

1. MINIMUM FOOTING SIZE: 4' - 4" x 4' - 4" x 11" THICK.
2. MINIMUM CONCRETE STRENGTH: 2500 PSI
3. REINFORCEMENT: #5 REBAR @ 10" ON CENTER (O.C.)



NOTE: For the SLING OPTION the maximum setback distance (from the pool wall to the anchor) is 24".

Super Power EZ Anchor Instructions



PART #: F-612TLA

MANDATORY

LEAVE THIS MANUAL WITH LIFT OWNER

Read and follow all instructions.
Lift safety can only be ensured if the lift is installed and operated according to these instructions.

- NEVER permit children to play on or around the lift
- Do not allow children to use the lift without adult supervision
- NEVER apply direct water pressure to the electronics
- NEVER use the lift with a dry pool

READ CAREFULLY

Check entire box and all packing materials for parts. Before beginning assembly, read the instructions and identify parts using the figures and parts listed in this document.

It is critical that all parts be carefully inspected prior to installation. If any damage occurred in transit, Aqua Creek Products, LLC must be notified within three days of receipt of unit.

Proper installation cannot be overstressed, as an improper installation voids Aqua Creek's warranty and may affect the safety of the user.

Anchor Installation: Retrofit Instructions

The SUPER POWER EZ lift should be installed in a deck or footing with the following specifications:

1. MINIMUM FOOTING SIZE: 4' - 0" x 4' - 0" x 1 1/2" THICK.
2. MINIMUM CONCRETE STRENGTH: 2500 PSI
3. REINFORCEMENT: #5 REBAR @ 10" ON CENTER (O.C.)

To ensure adequacy of an existing pool deck a 4' – 0" square portion of the existing deck may be saw-cut, removed and replaced with a footing as specified above. The new slab reinforcing shall be drilled and epoxied into the existing slab as shown on the next page. If your deck or footing does not meet these requirements please call Aqua Creek for recommendations. The anchor should be bonded (grounded) per local electrical code. For decks meeting these requirements follow these instructions to install your anchor.

TOOLS & MATERIALS REQUIRED:

CORE DRILL	WIRE BRUSH
5" CORE DRILL BIT	AIR NOZZLE & PUMP/COMP.
MARKING PEN	HEAT GUN (OPTIONAL)
EPOXY (ANCHOR ADHESIVE)*	MASKING TAPE

1. Select an anchor location using the diagram on page 8. Mark the center of the anchor location with a pen or marker.
2. Using a 5" diameter core-drill bit drill a 5" diameter hole at the anchor location. Make sure to keep the bit square to the deck. Drill straight down to a depth of at least 9".
3. Remove plug and clean out the hole with a wire brush, and then insert an air nozzle to the bottom of the hole and blow out the hole using a pump or compressed air. Proper hole cleaning is essential. If the hole is wet, dry it out as much as possible. A heat gun may be helpful in drying out the hole.
4. Mask the top of the anchor so no epoxy gets inside the anchor.
5. Place the anchor in the hole and 'dry-fit' it first to make sure the anchor will be flush and perpendicular with the deck when installed. Adjust the hole as needed.
6. Install the epoxy into the dispenser and follow manufacturers' instructions to ensure the epoxy is properly mixed and applied. USE ONLY THE RECOMMENDED EPOXY AND ALWAYS FOLLOW THE INSTRUCTIONS SO FULL STRENGTH IS ACHIEVED.
7. Inject epoxy adhesive starting at the bottom until the hole is 1/3 to 1/2 full.
8. Install the 8" bronze anchor into the epoxy and push down until it is flush with the deck surface. Clean off excess epoxy. Adjust the anchor to make sure it is flush and perpendicular with the deck surface.
9. Let the epoxy cure for at least 24 hours before installing the lift (or where applicable according to the manufacturers' instructions).

*Use HILTI RE-500-SD adhesive anchor or SIMPSON SET-XP anchor adhesive or equivalent.

NOTE: BOND (GROUND) THE ANCHOR PER LOCAL ELECTRICAL CODE.

Anchor Installation: New Construction

For new construction a footing should be poured according to the diagram below. Again, make sure the anchor is installed flush and perpendicular with the deck surface. The footing should have the following specifications:

1. MINIMUM FOOTING SIZE: 4' - 0" x 4' - 0" x 11" THICK.
2. MINIMUM CONCRETE STRENGTH: 2500 PSI
3. REINFORCEMENT: #5 REBAR @ 10" ON CENTER (O.C.)

