



THE LEADERS IN RECREATION, FITNESS, AND ABILITY!

9889 Garrymore Ln  
Missoula, MT 59808

888-687-3552 | +1-406-549-0769

www.aquacreek.com

# 24V Solar Charger Instructions



**PART #: F-042SCH-03**  
**(For use with Spa Ultra and Spa Elite)**

**MANDATORY**  
LEAVE THIS MANUAL WITH LIFT OWNER

Read and follow all instructions.  
Lift safety can only be ensured if the lift is installed and operated according to these instructions.

- NEVER permit children to play on or around the lift
- Do not allow children to use the lift without adult supervision
- NEVER apply direct water pressure to the electronics
- NEVER use the lift with a dry pool

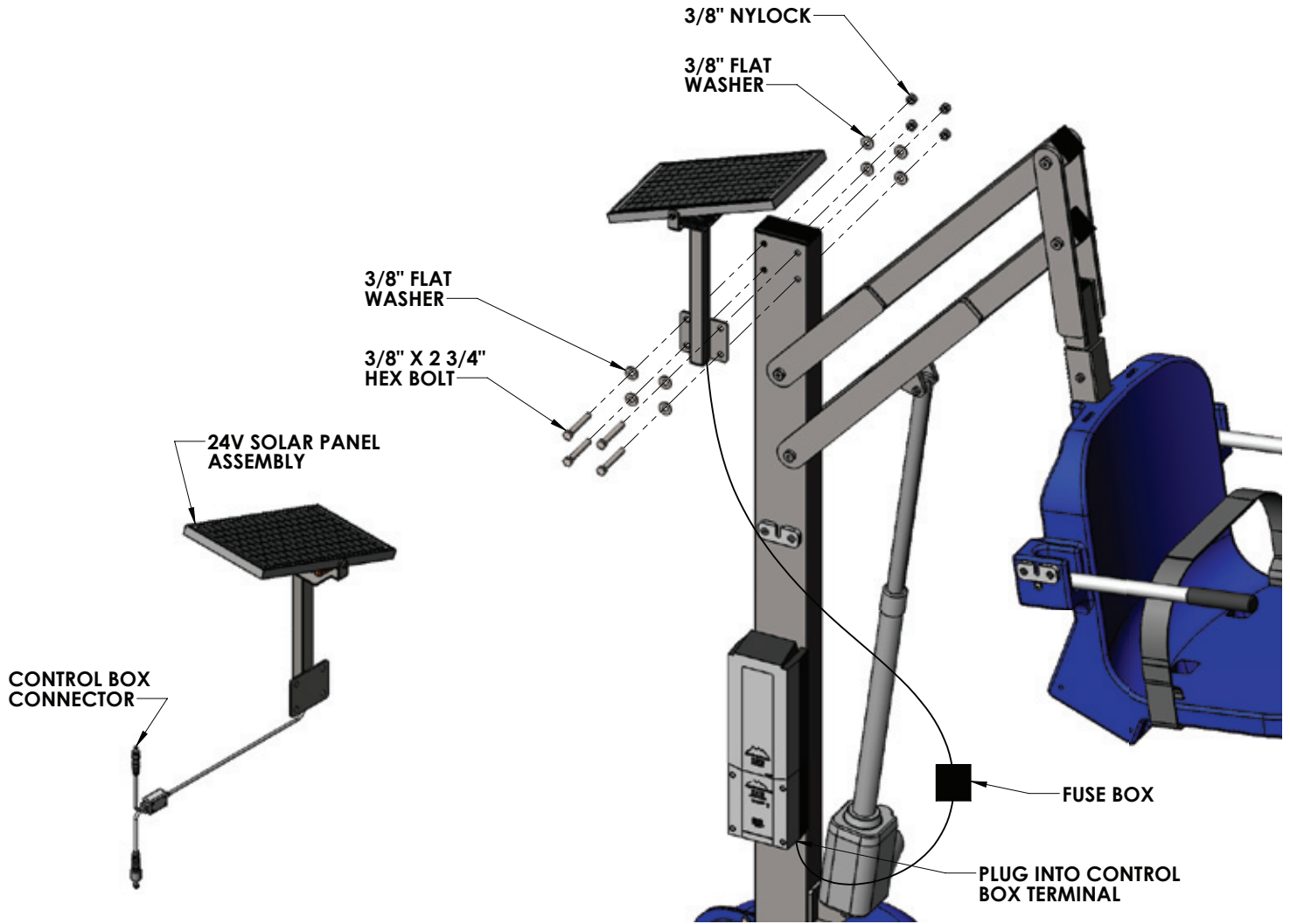
## READ CAREFULLY

Check entire box and all packing materials for parts. Before beginning assembly, read the instructions and identify parts using the figures and parts listed in this document.

It is critical that all parts be carefully inspected prior to installation. If any damage occurred in transit, Aqua Creek Products, LLC must be notified within three days of receipt of unit.

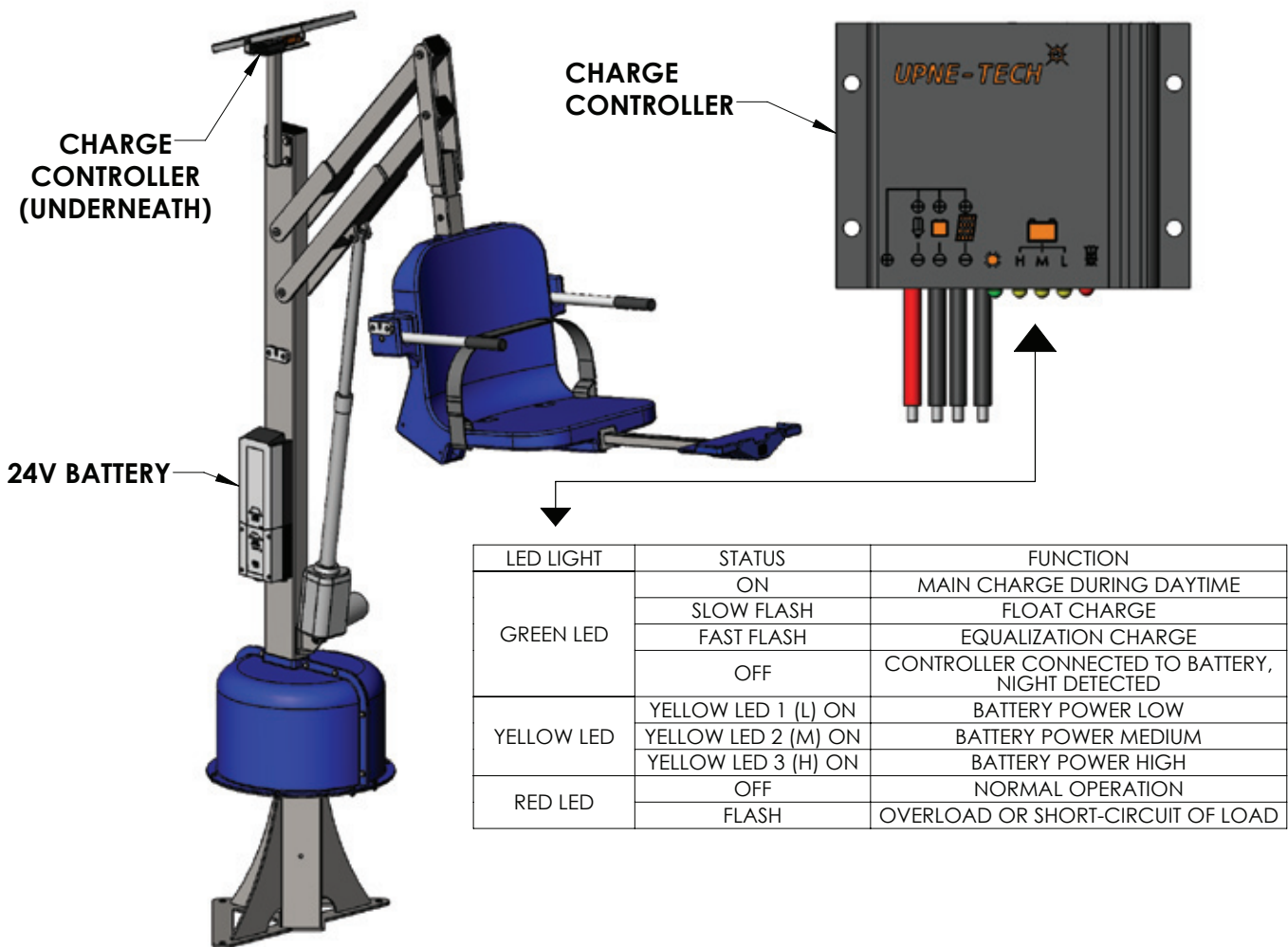
Proper installation cannot be overstressed, as an improper installation voids Aqua Creek's warranty and may affect the safety of the user.

# Unpacking and Installation



The 24V Solar Charger bolts directly to the mast of the lift and may be left on the unit 24 hours a day. In most cases this will mean the battery will not need to be charged during the day, or for heavy usage will not need to be put on the AC wall charger as often. To install the 24V Solar Charger, use the four (4) supplied 3/8" hex bolts, the eight (8) 3/8" flat washers and the four (4) 3/8" nylock nuts and install the solar charger as shown above. The solar charger control box connector plugs directly into the control box on the lift, as shown above. For this particular lift, the female end of the connector does not need to plug into anything and can hang loosely.

# Solar Charger Operation



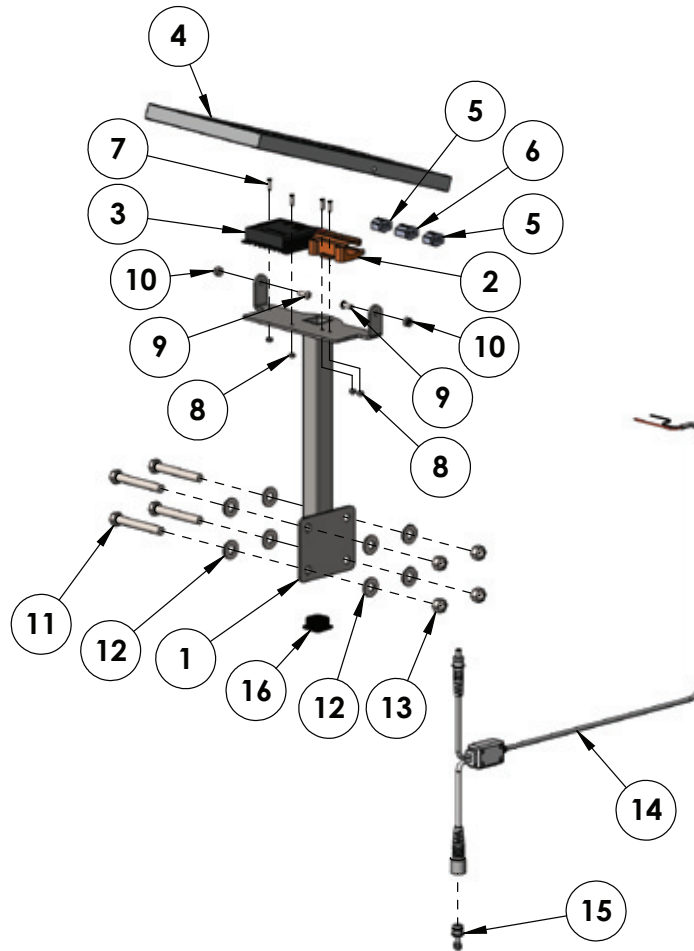
Once the solar charger has been installed and plugged into the control box, and there is sufficient daylight, the 24V Solar Charger will turn on and start trickle-charging the battery.

When a 24V battery is installed onto the lift, and there is sufficient daylight, the GREEN LED will turn on to show a 24V battery has been detected and the charger is operational. If a fully charged battery is being used, the YELLOW LED marked "H" will light up as well. If a non-fully charged battery is being used, either the YELLOW LED marked "M" or the YELLOW LED marked "L" will turn on, depending on how drained the battery is.

See the table in the image above for more descriptions on what all of the LED lights mean when they are either on or off.

The 24V Solar Charger will continue to charge the battery, even as the lift is being used. So once the 24V Solar Charger has been installed it will function without any need for adjustment. The user should check the indicators periodically to make sure it is working.

# Solar Charger Parts List



ITEM #	QTY	PART #	DESCRIPTION
1	1	ICA-100-20	SPA SOLAR CHARGER LOWER WELDMENT
2	1	222-500	CARRIER, HOUSING, FOR WAGO, CONNECTORS
3	1	SLAC-MH10A	CONTROLLER, SOLAR CHARGER
4	1	7.5W SOLAR PANEL	7.5W MONOCRYSTALLINE SOLAR PANEL 36V
5	2	222-412	CONNECTOR, WAGO, 2 LEVER
6	1	222-413	CONNECTOR, WAGO, 3 LEVER
7	4	BC 4 X 1/2	BOLT, 316 SS, #4-40 X 1/2" FH PHILLIPS
8	4	NN 4	NUT, 316 SS, NYLOCK, #4-40
9	2	BB 10 X 1/2	BOLT, 316 SS, 10-24 X 1/2 BHSCS
10	2	NN 10	NUT, 316 SS, NYLOCK, #10-24
11	4	BH 3/8 X 2 3/4	BOLT, 316 SS, 3/8-16 X 2 3/4 HCS
12	8	WF 3/8	WASHER, FLAT, 3/8, 316 SS
13	4	NN 3/8	NUT, 316 SS, NYLOCK, 3/8-16
14	1	VSCC2	ICA-SAE CABLE
15	1	00918174	LINAK DUMMY PLUG FOR DC PORT
16	1	SQR-1-14-20	CAP, PLASTIC, 1 X 1 SQUARE, .083 X .035 WALL

**AQUA CREEK PRODUCTS, LLC LIMITED ONE (1) YEAR WARRANTY:**  
**SOLAR CHARGING SYSTEMS**

(ITEM #'s F-042SCH, F-043SCH, F-044SCH, F-045SCH, F-046SCH, F-047SCH, F-048SCH)

Aqua Creek Products, LLC (a.k.a. Aqua Creek) warrants to the original end user purchaser that products manufactured by Aqua Creek, when properly installed in accordance with assembly and installation instructions and properly used and maintained, shall be free from defects in material and workmanship for a period of **one (1) year from the date of original purchase**, provided that Aqua Creek receives prompt notice in writing of any defect or failure and satisfactory proof thereof, with the following exceptions:

**Exceptions:**

- All electrical components shall be warranted for a period of ninety (90) days from the date of original purchase.
- This warranty specifically excludes reimbursement for labor to remove, repair, or install the product and any freight charges.
- This warranty does not cover any damages due to accident, force majeure, act of nature, misuse, abuse, negligence or failure to properly maintain any products, or normal wear and tear from day to day operations.
- In the event that any products are altered, repaired, or improperly installed by anyone without the prior written approval by Aqua Creek, all warranties are void.

To initiate a warranty claim, the owner of an Aqua Creek product must provide the place of purchase, in writing, with a full description of the product, its serial number, the dates of purchase and installation, and the exact nature of the defect. Within thirty (30) days after receipt of a written warranty claim by Aqua Creek, and barring any unforeseen delays, the place of purchase will be notified of Aqua Creek's decision regarding the claim. All warranty calculations are from date of original purchase at manufacturer's suggested retail price. Non-payment for product to Aqua Creek may void warranty.

If requested by Aqua Creek, any defective product must be returned, freight prepaid by customer, to Aqua Creek's designated factory location or duly appointed distributor for inspection and/or repair. Aqua Creek will, at its option, repair or replace the failed or defective item, and deliver the repaired product or replacement to the customer. All freight charges are the responsibility of the customer. Products returned to Aqua Creek for which Aqua Creek provides replacement under this limited warranty shall become the property of Aqua Creek. A new warranty period shall **NOT** be established for the repaired or replaced products. Such products shall remain under warranty only for the remainder of the original warranty period on the original products purchased.

This written limited warranty constitutes the final, complete and exclusive statement of warranty terms. No person or organization is authorized to make any other specific or implied warranties or representations on behalf of Aqua Creek.

THE WARRANTIES SET FORTH HEREIN ARE IN LIEU OF ALL OTHER WARRANTIES, EXPRESSED OR IMPLIED, WHICH ARE HEREBY DISCLAIMED AND EXCLUDED, INCLUDING WITHOUT LIMITATION ANY WARRANTY OF MERCHANTABILITY OR FITNESS FOR A PARTICULAR PURPOSE OR USE.

THE SOLE AND EXCLUSIVE REMEDIES FOR BREACH OF ANY AND ALL WARRANTIES WITH RESPECT TO THE PRODUCTS SHALL BE LIMITED TO REPAIR OR REPLACEMENT AT AQUA CREEK'S DESIGNATED FACTORY LOCATION, OR DULY APPOINTED DISTRIBUTOR, OR IN PLACE AT AQUA CREEK'S OPTION. IN NO EVENT SHALL AQUA CREEK'S LIABILITY EXCEED THE ENTIRE AMOUNT PAID TO AQUA CREEK BY THE ORIGINAL PURCHASER FOR THE FAILED OR DEFECTIVE PRODUCT.

IN NO EVENT SHALL AQUA CREEK PRODUCTS, LLC BE LIABLE FOR ANY INCIDENTAL, CONSEQUENTIAL, SPECIAL, INDIRECT, PUNITIVE OR EXEMPLARY DAMAGES OR LOST PROFITS FROM ANY BREACH OF THIS LIMITED WARRANTY OR OTHERWISE.

**Aqua Creek Products, LLC**  
**9889 Garrymore Lane**  
**Missoula, MT 59808**  
**(888) 687-3552 – (406) 549-0769**  
[www.aquacreek.com](http://www.aquacreek.com)