

24V Solar Charger Instructions

PART #: F-044SCH-04
(For use with Admiral, Ranger 2 & Ambassador)

MANDATORY
LEAVE THIS MANUAL WITH LIFT OWNER

Read and follow all instructions.
Lift safety can only be ensured if the lift is installed and operated according to these instructions.

- NEVER permit children to play on or around the lift
- Do not allow children to use the lift without adult supervision
- NEVER apply direct water pressure to the electronics
- NEVER use the lift with a dry pool



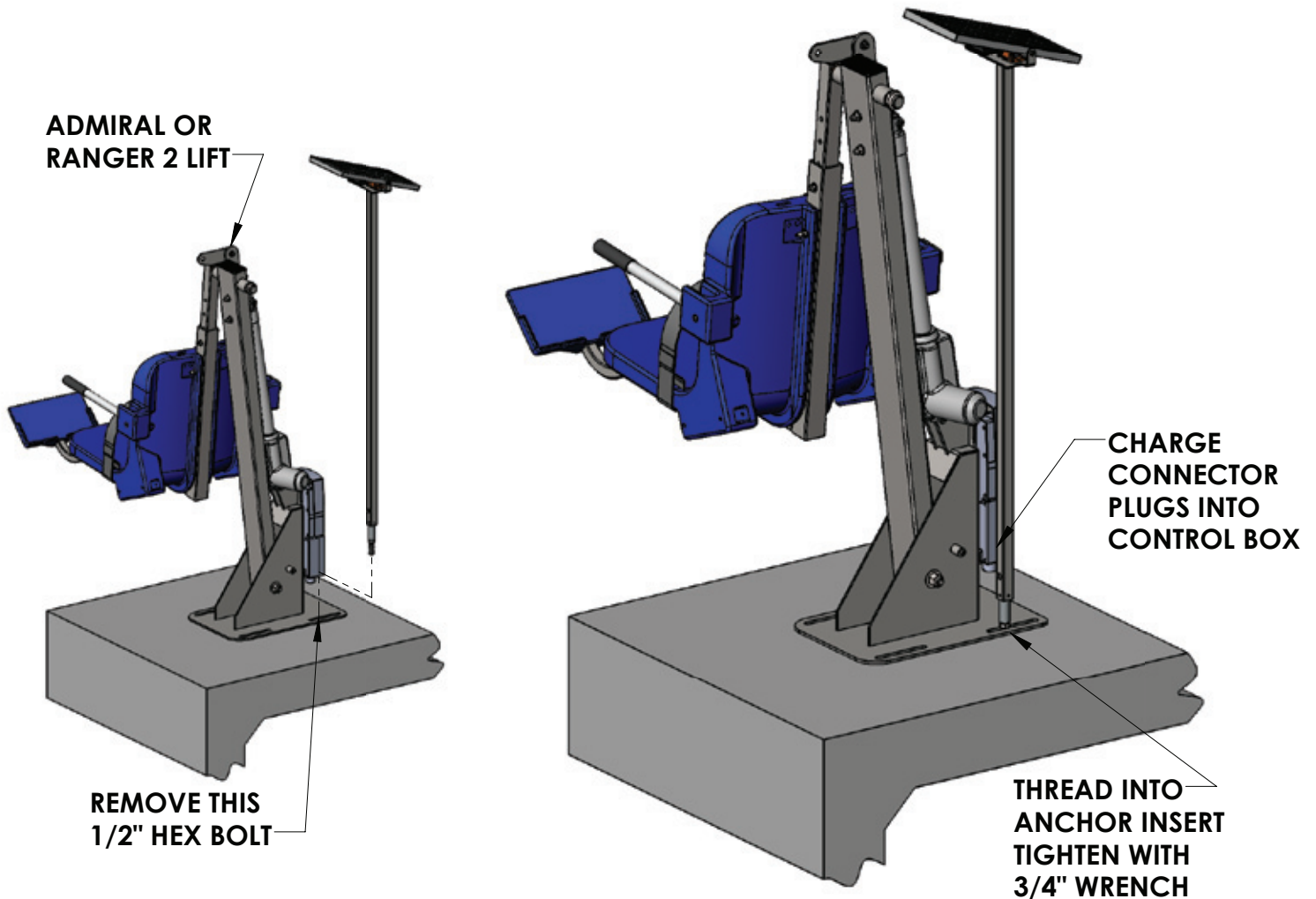
READ CAREFULLY

Check entire box and all packing materials for parts. Before beginning assembly, read the instructions and identify parts using the figures and parts listed in this document.

It is critical that all parts be carefully inspected prior to installation. If any damage occurred in transit, Aqua Creek Products, LLC must be notified within three days of receipt of unit.

Proper installation cannot be overstressed, as an improper installation voids Aqua Creek's warranty and may affect the safety of the user.

Admiral & Ranger 2 Installation



To install the Solar Charger on a Admiral or Ranger 2 lift;

STEP 1: Remove the 1/2" hex bolt from the baseplate as shown above.

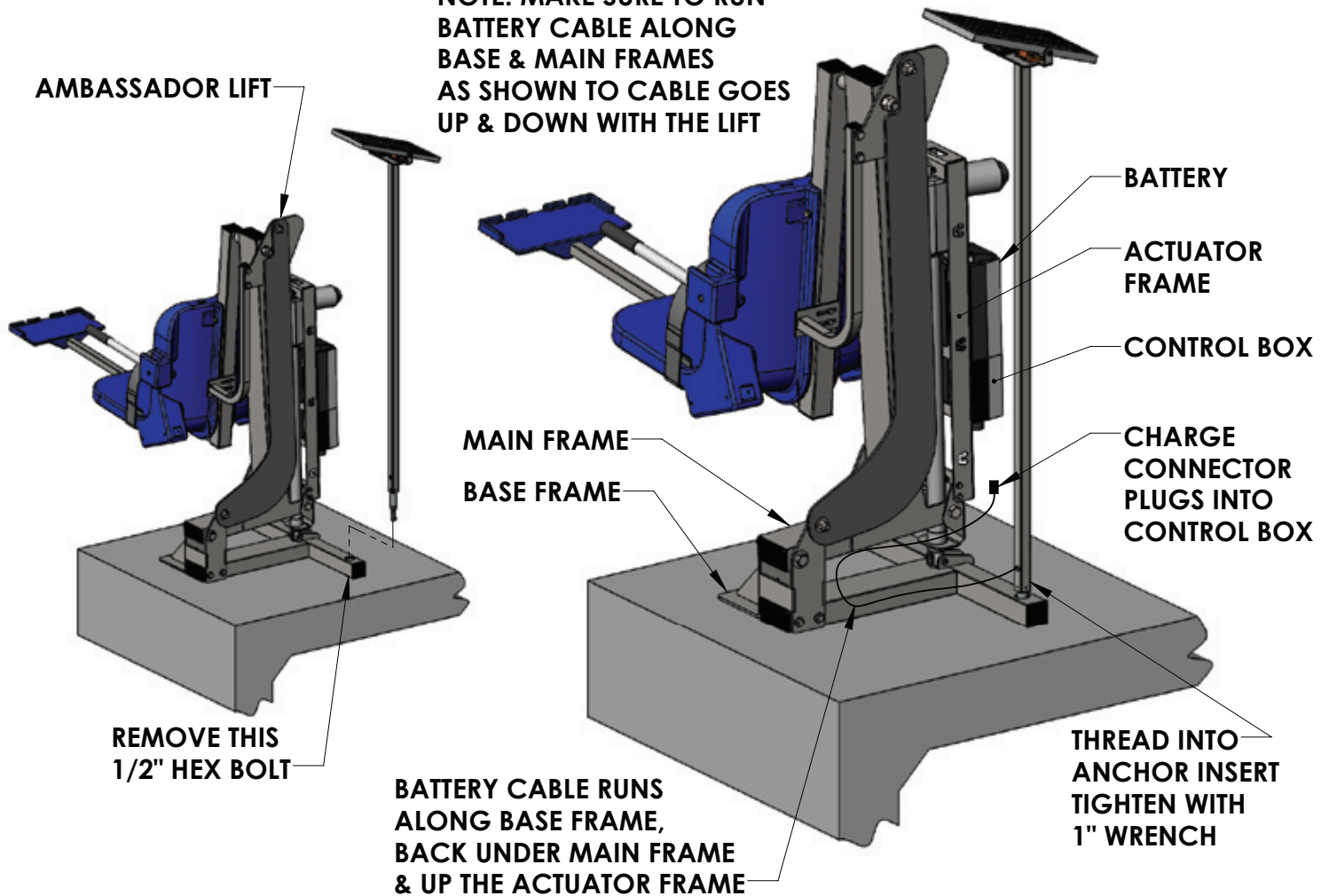
STEP 2: Place the 24V Solar Charger over the baseplate of the lift as shown.

STEP 3: Align the mounting stud with the baseplate & anchor insert. Thread the mounting stud into the anchor insert and tighten. Use a 3/4" wrench to make sure it is snug.

STEP 4: The solar charger control box connector plugs directly into the battery and control box on the lift. See page 4 for Admiral lift and page 5 for Ranger 2 lift.

Ambassador Installation

NOTE: MAKE SURE TO RUN BATTERY CABLE ALONG BASE & MAIN FRAMES AS SHOWN TO CABLE GOES UP & DOWN WITH THE LIFT



To install the Solar Charger on a Ambassador lift;

STEP 1: Remove the 1/2" hex bolt from the back anchor insert as shown above.

STEP 2: Place the 24V Solar Charger over the base frame where the bolt was removed.

STEP 3: Align the mounting stud with the base frame & anchor insert. Thread the mounting stud into the anchor insert and tighten. Use a 1" wrench to make sure it is snug.

STEP 4: Run the BATTERY CABLE along the base frame, back under the main frame, and up the actuator frame as shown. See page 5 for instructions on plugging the system into the control box.

Solar Charger Installation to Vito Controls

Disconnect the the cable that connects the battery to the control box. The SOLAR CHARGER CABLE has a male end and a female end that split off from the FUSE BOX. Connect the male end of the SOLAR CHARGER CABLE into the female end of the BATTERY. Then connect the female end of the SOLAR CHARGER CABLE to the male end of the CONTROL BOX. See pictures below.

NOTE: Make sure all plugs are fully engaged, the lights on the solar charger come on, and that the lift functions correctly.

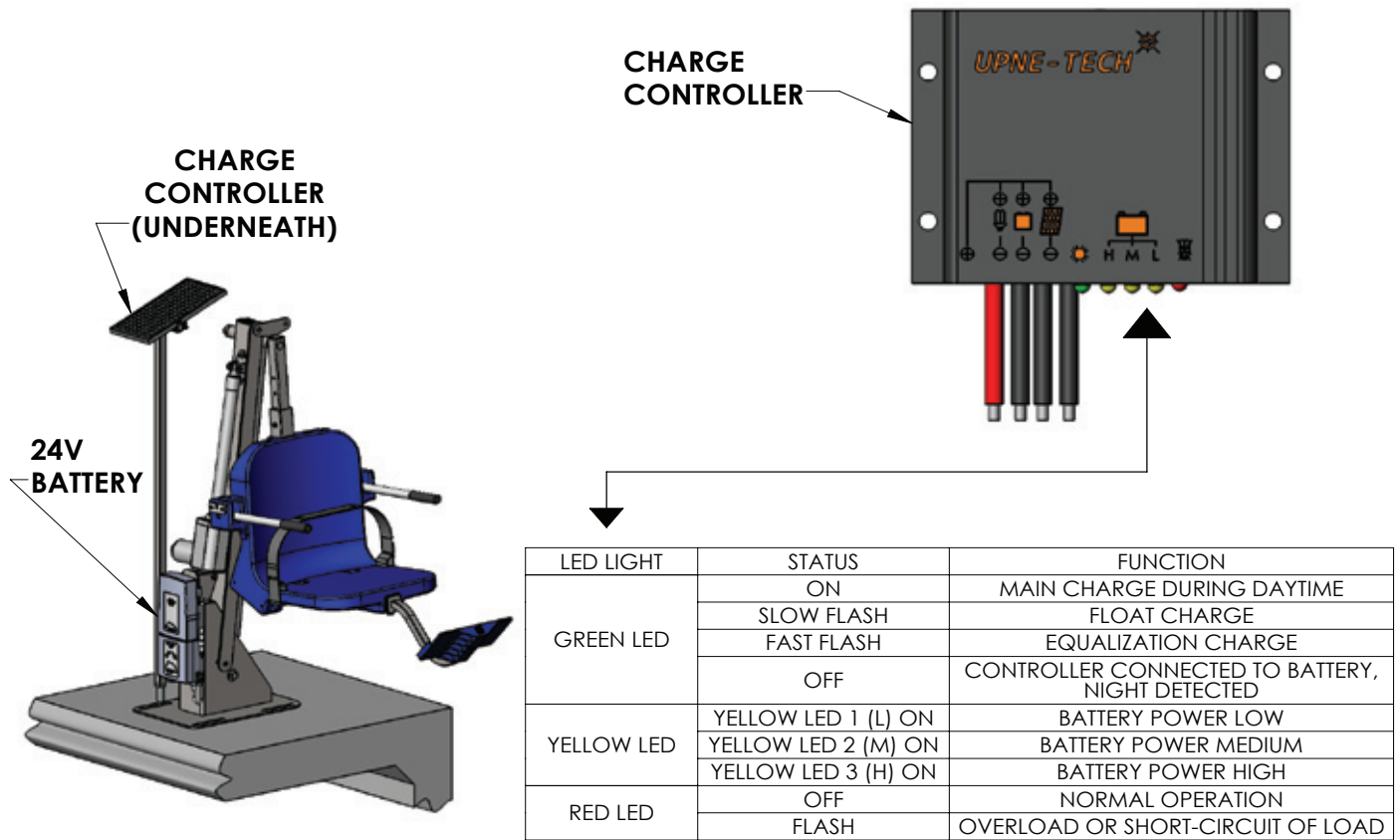


Solar Charger Installation to Linak Controls



STEP 5: Run the BATTERY CABLE behind the control box as shown, and plug the BATTERY CONNECTOR into the control box.

Solar Charger Operation



Once the solar charger has been installed and both the control box and battery have been plugged in, and there is sufficient daylight, the 24V Solar Charger will turn on and start trickle-charging the battery. Without both the control box and battery being plugged in, the 24V Solar Charger will be off and will remain off until both components are plugged in.

When a 24V battery is installed onto the lift, and there is sufficient daylight, the GREEN LED will turn on to show a 24V battery has been detected and the charger is operational. If a fully charged battery is being used, the YELLOW LED marked "H" will light up as well. If a non-fully charged battery is being used, either the YELLOW LED marked "M" or the YELLOW LED marked "L" will turn on, depending on how drained the battery is.

See the table in the image above for more descriptions on what all of the LED lights mean when they are either on or off.

The 24V Solar Charger will continue to charge the battery, even as the lift is being used. So once the 24V Solar Charger has been installed it will function without any need for adjustment. The user should check the indicators periodically to make sure it is working.

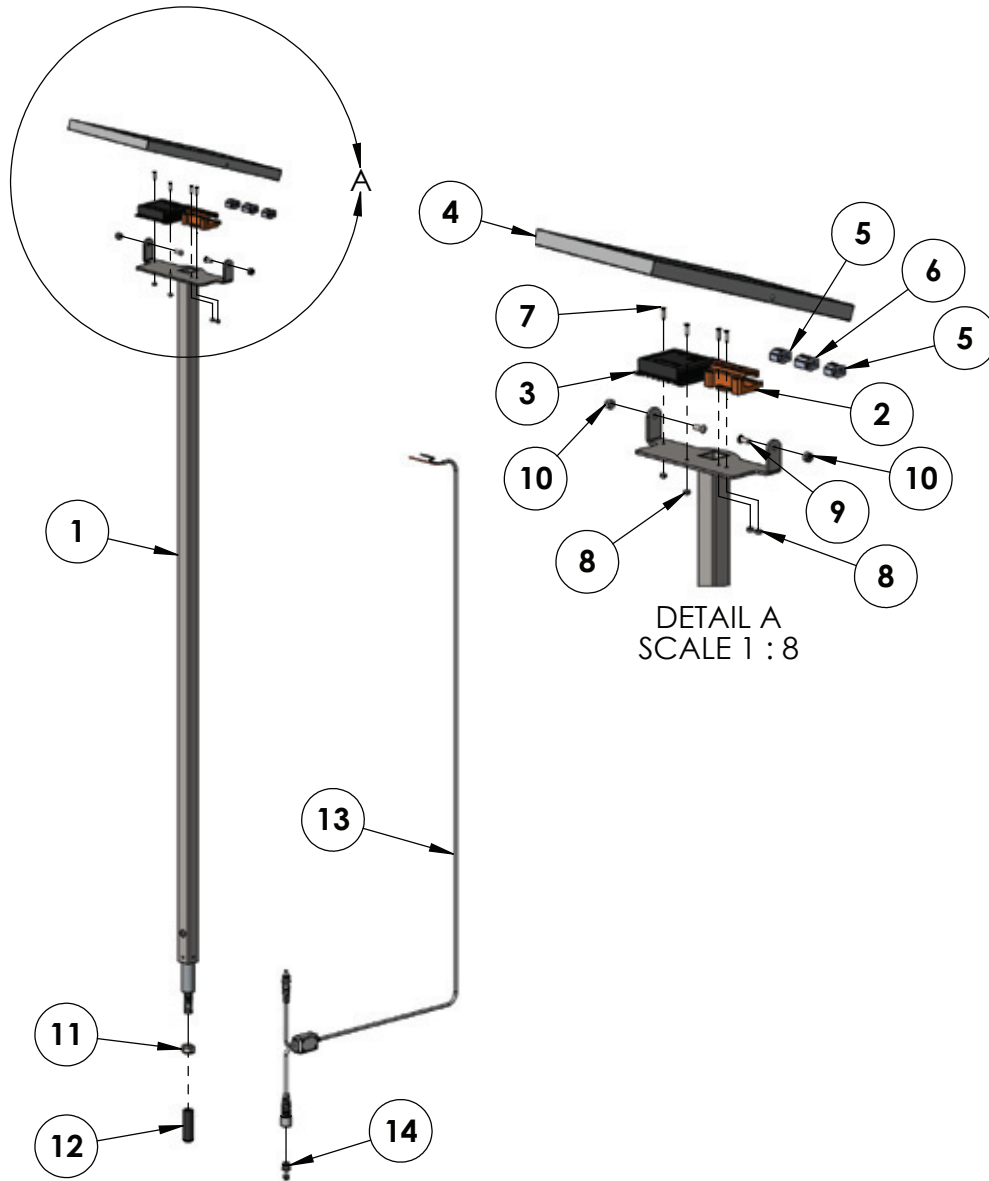
Linak Battery Maintenance

1. Do NOT expose the battery to freezing temperatures.
2. Do NOT expose the battery to prolonged periods of extreme heat or severe cold temperatures.
3. Do NOT expose the battery to temperatures below 0 degrees Celsius (32 degrees F.)
4. Do NOT expose the battery to long periods of direct sunlight. Heat will shorten your battery life. Optimum operating temperature is below 20 degrees Celsius (68 degrees F.)
Aqua Creek recommends a battery cover be used with solar chargers since the battery is left on the lift at all times.
5. Never drop or bump the battery pack. This may result in loose or damaged internal connections, and may damage the battery terminals.
6. Keep battery terminals clean and free from dirt and corrosion to ensure good contact. The terminals may be cleaned using alcohol and a cotton swab. Clean off any corrosion or discoloration of the battery contacts with a Scotch-Brite™ pad and then apply dielectric grease (supplied with lift) as shown in the figure below.



Clean with alcohol and a cotton swab and apply dielectric grease to terminals

Solar Charger Parts List



ITEM #	QTY	PART #	DESCRIPTION
1	1	PSC-100-20	LOWER WELDMENT, PRO POOL SOLAR CHARGER
2	1	222-500	CARRIER, HOUSING, FOR WAGO CONNECTORS
3	1	SLAC-MH10A	CONTROLLER, SOLAR CHARGER
4	1	7.5W SOLAR PANEL	7.5W MONOCRYSTALLINE SOLAR PANEL 36V
5	2	222-412	CONNECTOR, WAGO, 2 LEVER
6	1	222-413	CONNECTOR, WAGO, 3 LEVER
7	4	BC 4 X 1/2	BOLT, 316 SS, #4-40 X 1/2" FH PHILLIPS
8	4	NN 4	NUT, 316 SS, NYLOCK, #4-40
9	2	BB 10 X 1/2	BOLT, 316 SS, 10-24 X 1/2 BHSCS
10	2	NN 10	NUT, 316 SS, NYLOCK, #10-24
11	1	NH 1/2	NUT, 316 SS, HEX, 1/2"-13
12	1	P-TPTR12	THREAD PROTECTOR
13	1	VSCC2	CABLE, SOLAR CHARGER CABLE, VITO
14	1	00918174	LINAK DUMMY PLUG FOR DC PORT

AQUA CREEK PRODUCTS, LLC LIMITED ONE (1) YEAR WARRANTY:
SOLAR CHARGING SYSTEMS
(ITEM #'s F-043SCH, F-044SCH, F-045SCH, F-046SCH, F-047SCH)

Aqua Creek Products, LLC (a.k.a. Aqua Creek) warrants to the original end user purchaser that products manufactured by Aqua Creek, when properly installed in accordance with assembly and installation instructions and properly used and maintained, shall be free from defects in material and workmanship for a period of **one (1) year from the date of original purchase**, provided that Aqua Creek receives prompt notice in writing of any defect or failure and satisfactory proof thereof, with the following exceptions:

Exceptions:

- All electrical components shall be warranted for a period of ninety (90) days from the date of original purchase.
- This warranty specifically excludes reimbursement for labor to remove, repair, or install the product and any freight charges.
- This warranty does not cover any damages due to accident, force majeure, act of nature, misuse, abuse, negligence or failure to properly maintain any products, or normal wear and tear from day to day operations.
- In the event that any products are altered, repaired, or improperly installed by anyone without the prior written approval by Aqua Creek, all warranties are void.

To initiate a warranty claim, the owner of an Aqua Creek product must provide the place of purchase, in writing, with a full description of the product, its serial number, the dates of purchase and installation, and the exact nature of the defect. Within thirty (30) days after receipt of a written warranty claim by Aqua Creek, and barring any unforeseen delays, the place of purchase will be notified of Aqua Creek's decision regarding the claim. All warranty calculations are from date of original purchase at manufacturer's suggested retail price. Non-payment for product to Aqua Creek may void warranty.

If requested by Aqua Creek, any defective product must be returned, freight prepaid by customer, to Aqua Creek's designated factory location or duly appointed distributor for inspection and/or repair. Aqua Creek will, at its option, repair or replace the failed or defective item, and deliver the repaired product or replacement to the customer. All freight charges are the responsibility of the customer. Products returned to Aqua Creek for which Aqua Creek provides replacement under this limited warranty shall become the property of Aqua Creek. A new warranty period shall **NOT** be established for the repaired or replaced products. Such products shall remain under warranty only for the remainder of the original warranty period on the original products purchased.

This written limited warranty constitutes the final, complete and exclusive statement of warranty terms. No person or organization is authorized to make any other specific or implied warranties or representations on behalf of Aqua Creek.

THE WARRANTIES SET FORTH HEREIN ARE IN LIEU OF ALL OTHER WARRANTIES, EXPRESSED OR IMPLIED, WHICH ARE HEREBY DISCLAIMED AND EXCLUDED, INCLUDING WITHOUT LIMITATION ANY WARRANTY OF MERCHANTABILITY OR FITNESS FOR A PARTICULAR PURPOSE OR USE.

THE SOLE AND EXCLUSIVE REMEDIES FOR BREACH OF ANY AND ALL WARRANTIES WITH RESPECT TO THE PRODUCTS SHALL BE LIMITED TO REPAIR OR REPLACEMENT AT AQUA CREEK'S DESIGNATED FACTORY LOCATION, OR DULY APPOINTED DISTRIBUTOR, OR IN PLACE AT AQUA CREEK'S OPTION. IN NO EVENT SHALL AQUA CREEK'S LIABILITY EXCEED THE ENTIRE AMOUNT PAID TO AQUA CREEK BY THE ORIGINAL PURCHASER FOR THE FAILED OR DEFECTIVE PRODUCT.

IN NO EVENT SHALL AQUA CREEK PRODUCTS, LLC BE LIABLE FOR ANY INCIDENTAL, CONSEQUENTIAL, SPECIAL, INDIRECT, PUNITIVE OR EXEMPLARY DAMAGES OR LOST PROFITS FROM ANY BREACH OF THIS LIMITED WARRANTY OR OTHERWISE.

Aqua Creek Products, LLC
9889 Garrymore Lane
Missoula, MT 59808
(888) 687-3552 – (406) 549-0769
www.aquacreek.com