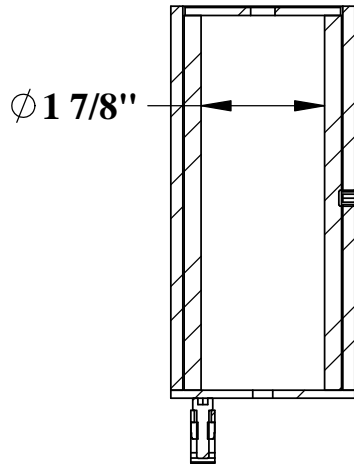
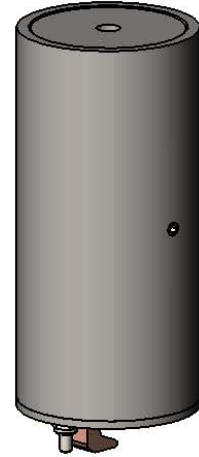
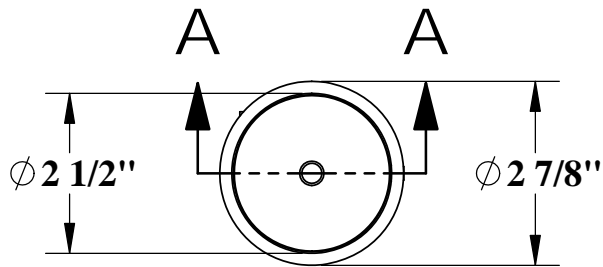
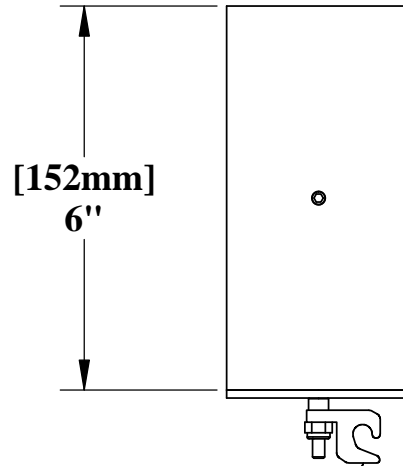


EZ & POWER EZ ANCHOR SPEC



SECTION A-A



GROUNDING LUG

SPECIFICATIONS:

RATED CAPACITY: 400 LBS [181kg]

MAXIMUM SETBACK: 20" [508mm]



9889 GARRYMORE LANE
 MISSOULA, MT 59808
 (406) 549-0769
 FAX (406) 549-2602

NOTE:
 *SPECIFICATIONS ARE SUBJECT TO CHANGE WITHOUT NOTICE

| | | | |
|-----------|------------|------------------|------------------|
| PRODUCT: | | EZ ANCHOR | |
| PART #: | | F-033EZA | |
| SCALE: | 1:3 | DATE: | 6/12/2017 |
| DRAWN BY: | KR | REVISION: | A |