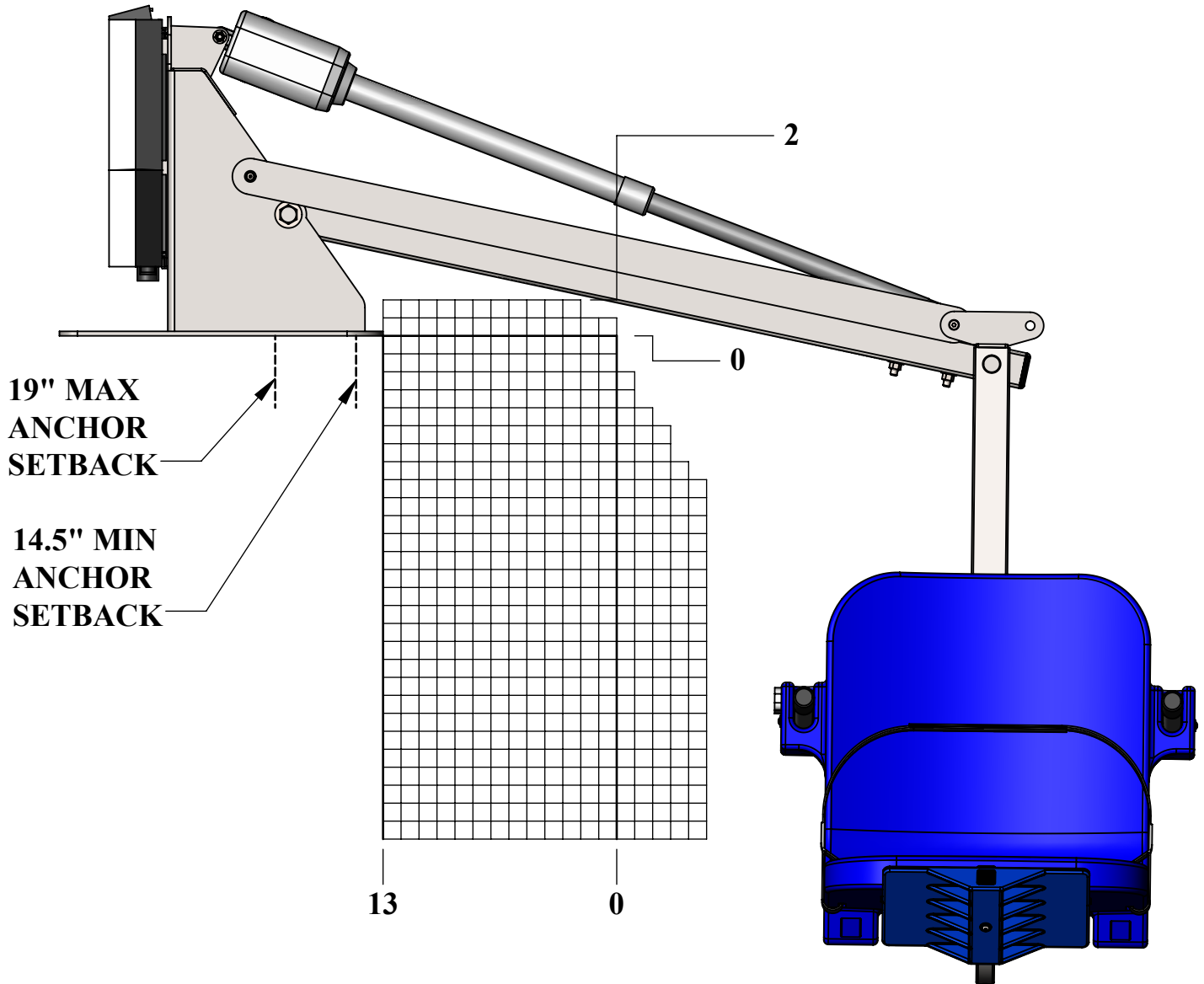


# RANGER 2 GRAPH CHART

MINIMUM ANCHOR SETBACK = 14.5"  
 MAXIMUM ANCHOR SETBACK = 19"

THE FRONT EDGE OF THE BASE PLATE  
 WILL ALWAYS BE 13" FROM THE POOL  
 EDGE FOR ADA APPLICATIONS

DRAW YOUR PROFILE ON THE  
 GRAPH USING THE FRONT  
 ANCHOR LOCATIONS AS  
 YOUR START POINT. ALL  
 GRAPH LINES ARE IN 1"  
 INCREMENTS.



9889 GARRYMORE LANE  
 MISSOULA, MT 59808  
 (406) 549-0769  
 FAX (406) 549-2602

NOTE:  
 \*SPECIFICATIONS ARE SUBJECT TO CHANGE WITHOUT NOTICE

PRODUCT:		RANGER 2	
PART #:		F-RNGR2	
SCALE:	1:9	DATE:	12/23/2019
DRAWN BY:	KR	REVISION:	02