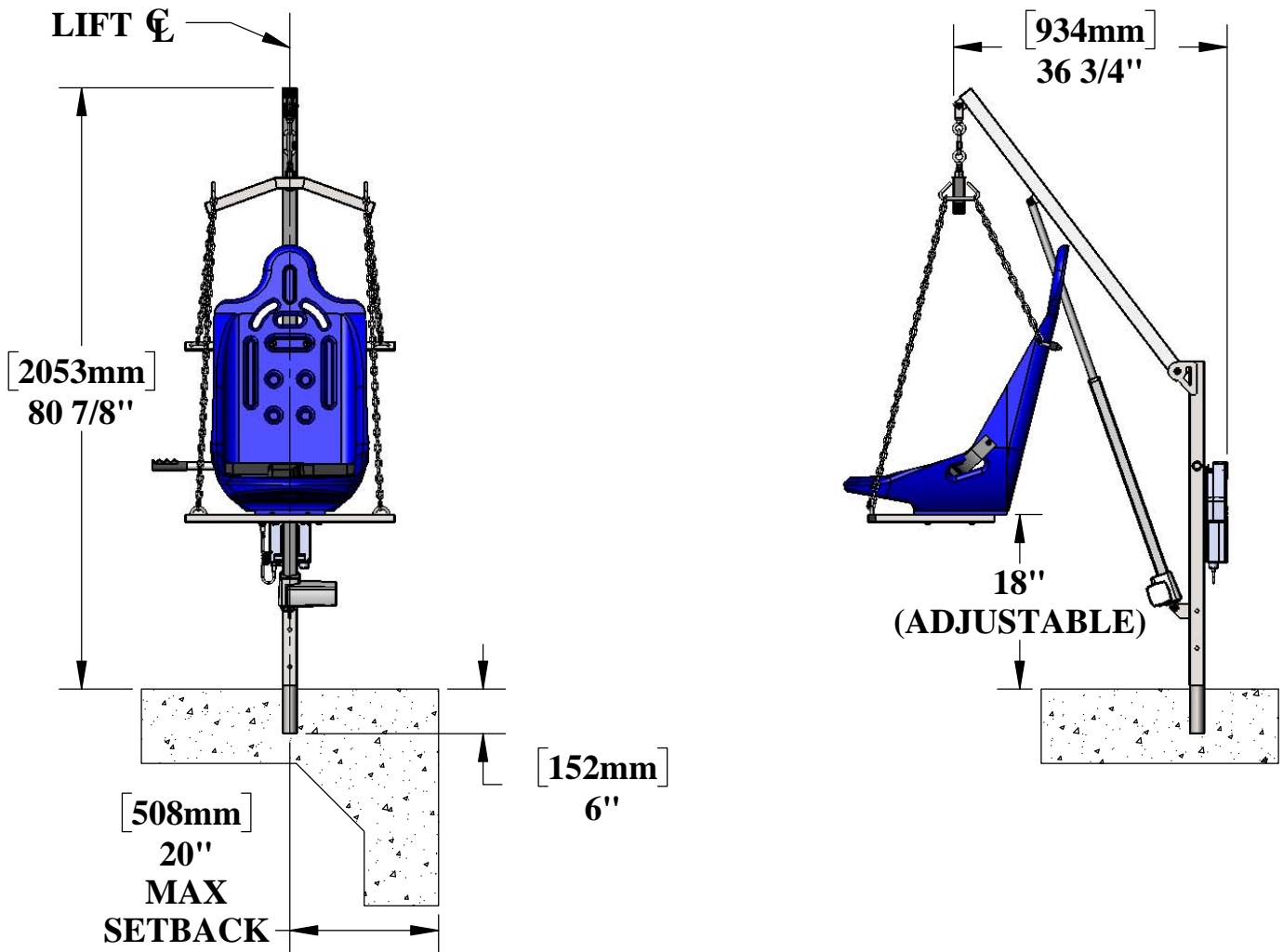
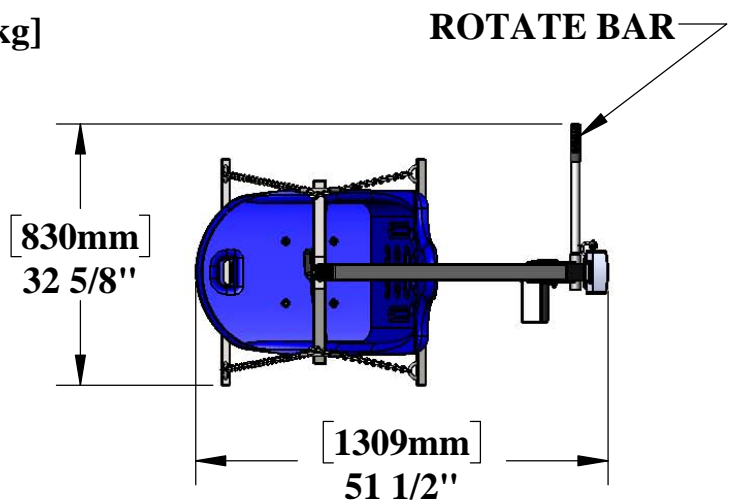


PEZ 2 LIFT WITH HARD SEAT



PRODUCT WEIGHT: 75lbs [34kg]
MAX WEIGHT CAPACITY: 400lbs [181kg]
MIN ANCHOR SETBACK: 12"
MAX ANCHOR SETBACK: 20"
MAX WATER DRAFT: 18"



9889 GARRYMORE LANE
 MISSOULA, MT 59808
 (406) 549-0769
 FAX (406) 549-2602

NOTE:
 *SPECIFICATIONS ARE SUBJECT TO CHANGE WITHOUT NOTICE

PRODUCT: PEZ 2 LIFT W/ HARD SEAT	
PART #: F-PEZPL2 & F-0320HSO-4C	
SCALE: 1:24	DATE: 5/26/2017
DRAWN BY: KR	REVISION: A