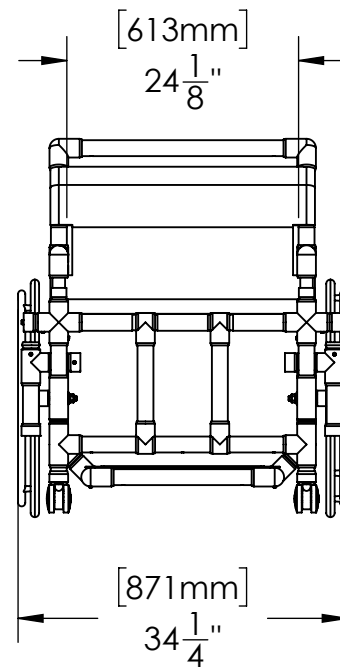
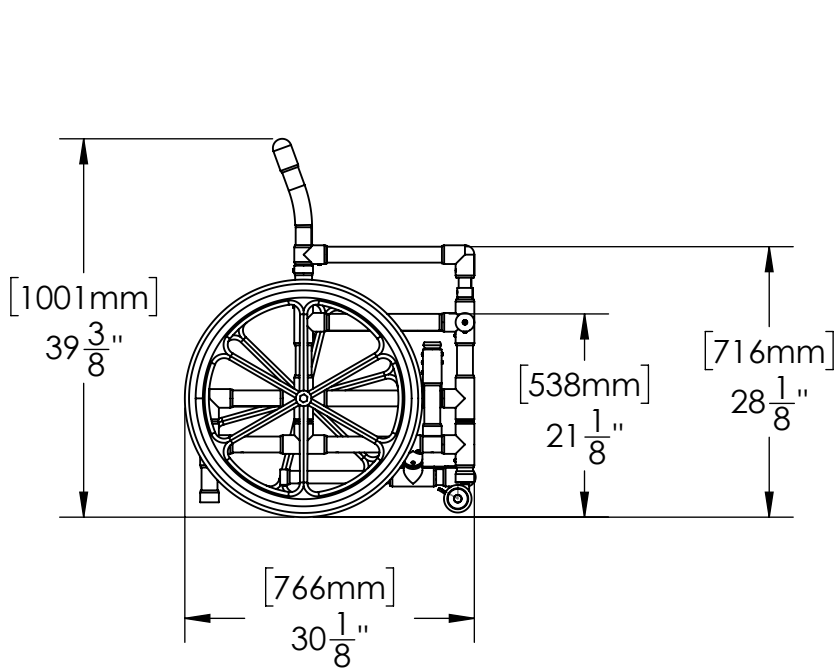


PVC POOL ACCESS CHAIR - 24 INCH WIDE MESH SEAT



SPECIFICATIONS:

THE PVC POOL ACCESS CHAIR WITH 24 INCH WIDE MESH SEAT SHALL BE CONSTRUCTED OF HEALTH CARE GRADE PVC PIPE AND FITTING THAT WON'T RUST OR STAIN. IT WILL BE RATED FOR 400 lbs [181 kg]. THE CHAIR SHALL COME EQUIPPED WITH AN EXTENDEDABLE FOOTREST. THE MESH SEAT SHALL BE A MINIMUM OF 24" WIDE AND UPHOLSTERED FROM MOLD AND MILDEW RESISTANT MATERIAL THAT IS SUITABLE FOR IMMERSION IN A POOL OR SPA. THE CHAIR SHALL COME EQUIPPED WITH DUAL LOCKING BRAKES AND SWING AWAY ARMRESTS TO ALLOW FOR EASY TRANSFERS. THE REAR WHEELS SHALL BE A NON-SKID STYLE WITH USER HAND RINGS. THE CASTERS SHALL BE ϕ 3" MRI RATED SWIVAL TYPE.

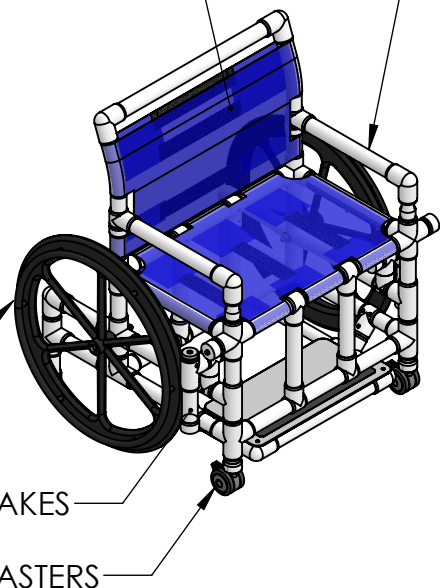
SWING AWAY ARMRESTS

REMOVABLE MESH SEAT

24" NON-SKID WHEELS

LOCKING BRAKES

ϕ 3" MRI SWIVAL CASTERS



9889 GARRYMORE LANE
MISSOULA, MT 59808
(406) 549-0769
FAX (406) 549-2602

NOTE:
*SPECIFICATIONS ARE SUBJECT TO CHANGE WITHOUT NOTICE

PRODUCT:	F-520XWSPM	
DWG #:	1 OF 1	
SCALE:	1:20	DATE: 8/21/2018
DRAWN BY:	KR	REVISION: B